



Quality is Behind the Diamond

Portable and Wheeled Parts Book

Part No. 27277

AMEREX CORPORATION

Post Office Box 81 • 7595 Gadsden Highway East • Trussville, AL 35173-0081
Phone: 1- (205) 655-3271 • email: sales@amerex-fire.com

SALES / WAREHOUSES:

930 Nicholas Blvd.

Elk Grove Village, IL 60007-2306

Ph: (847) 981-8550 Fax: (847) 981-0632
email: amerexchicago@amerex-fire.com

128 Bauer Drive

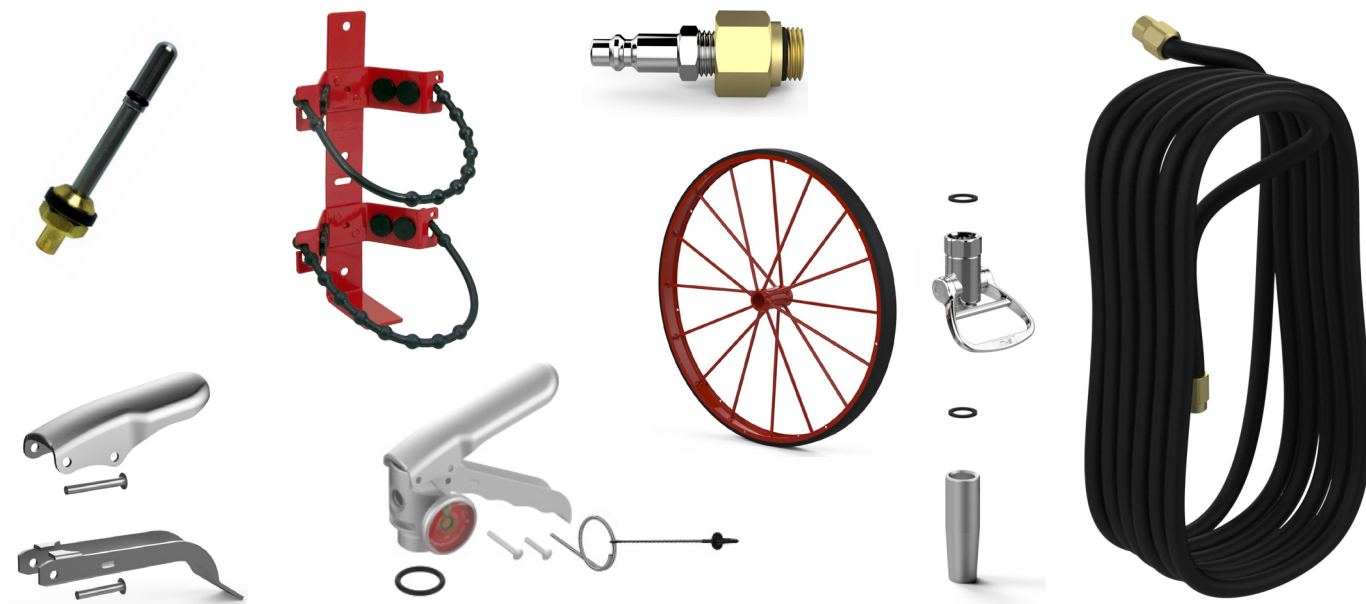
Oakland, NJ 07436

Ph: (201) 337-1616 Fax: (800) 526-3738
email: amerexnj@amerex-fire.com

12448 Bell Ranch Drive

Santa Fe Springs, CA 90670-1505

Ph: (562) 944-0191 Fax: (562) 944-3011
email: amerexla@amerex-fire.com



NOTICE:

Amerex fire extinguishers are manufactured under a quality system consisting of ISO 9001 and to UL Standards. To protect the UL listing and to keep the warranty in effect Amerex replacement parts must be used.

Genuine factory parts are available to insure proper maintenance - use of other manufacturer's parts releases Amerex of its warranty obligations. Amerex parts have machined surfaces and threads which are manufactured to exacting tolerances. O-rings, hoses, nozzles, horns and all metal parts meet precise specifications and are subjected to multiple in-house inspections and tests for acceptability. The Amerex warranty is voided by the use of generic, off-the-shelf or substitute parts. **DO NOT SUBSTITUTE.**

Amerex Corporation does not service, maintain or recharge fire extinguishers. This Parts Book and the various Amerex extinguisher service manuals are published as a guide to assist qualified personnel in the proper selection of parts and the "Inspection, Maintenance and Recharge" of Amerex extinguishers only. Personnel should receive proper instruction by a qualified agency in the servicing of fire extinguishers prior to servicing extinguishers.

FAILURE TO USE AMEREX REPLACEMENT PARTS OR HEED THE SERVICE MANUAL INSTRUCTIONS COULD CAUSE MALFUNCTION OF THE EXTINGUISHER RESULTING IN SERIOUS INJURY.

Amerex Corporation makes every attempt possible to provide the most current and updated information. Information contained with this brochure is deemed to be as accurate as possible as of the printing date. Routine changes to products, codes and standards, and warranties subsequent to this printing will supersede printed information. Please contact Amerex Corporation for any revisions, updates, or product change.



Quality is Behind the Diamond

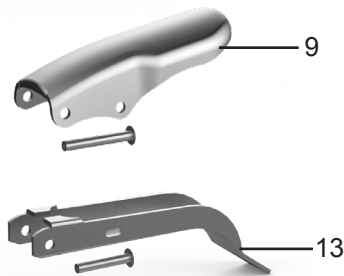
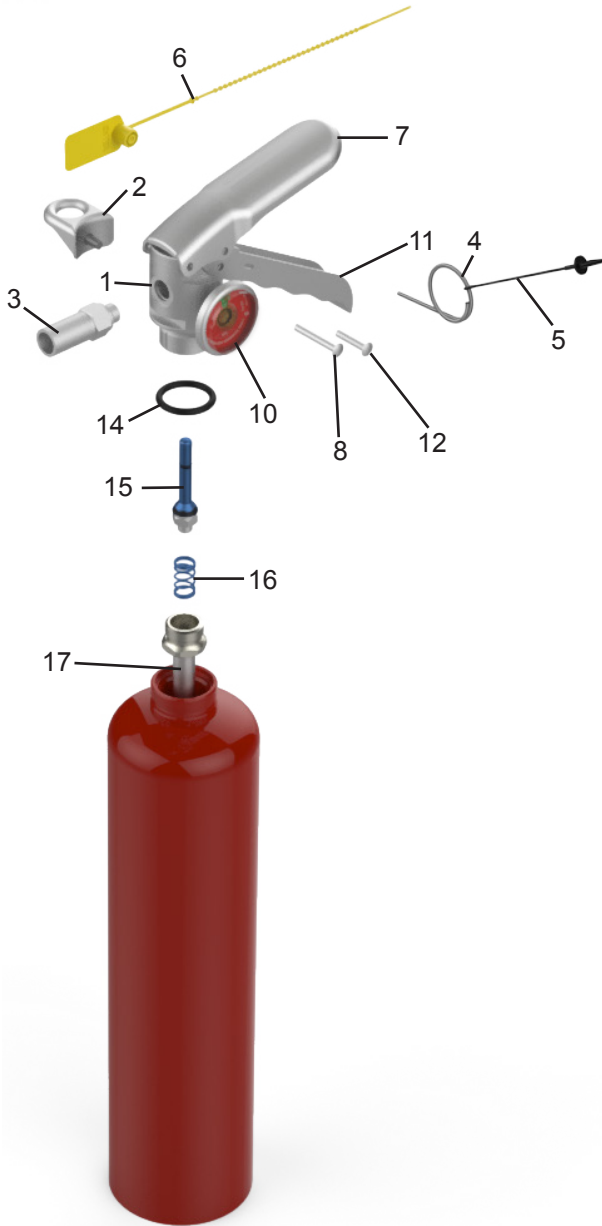
TABLE OF CONTENTS

TYPE EXTINGUISHER	PAGE NUMBER
DRY CHEMICAL - 1, 2½, 5 LB. (Fixed Nozzle - Aluminum Valve)	2
DRY CHEMICAL - 5, 5½, 6, 10, 20 LB. (Hose & Horn - Aluminum Valve)	3
DRY CHEMICAL - 5, 6, 10, 20, 30 LB. (Hose & Horn - Brass Valve)	4
DRY CHEMICAL HIGH FLOW - 10 - 20 LB. (Hose & Horn - Brass Valve)	5
WATER MIST - 1¾ GAL. AND 2½ GAL. (Hose & Wand - Brass Valve)	6
WET CHEMICAL (Class K) 6 LITER AND 2½ GAL. (Hose & Nozzle - Stainless Steel Shell and Valve)	7
WATER - 2½ GAL. FOAM - 6 LITER, 2½ GAL. AR-AFFF, (Hose & Nozzle - Brass Valve)	8
HIGH PERFORMANCE DRY CHEMICAL- 6 KG., 20, 30 LB. (Hose & Horn- Brass Valve)	9
HALON 1211 - 1¼, 2½, 5 LB. (Fixed Nozzle), 3 LB. (Hose & Horn) - (Aluminum Valve)	10
HALON 1211 - 9, 13, 17, 20 LB. (Hose & Horn - Brass Valve)	10
HALOTRON I - 1.4, 2½, 5, 5½ LB. (Fixed Nozzle - Aluminum Valve)	11
HALOTRON I - 11, 15½ LB. (Hose & Horn - Brass Valve)	11
CARBON DIOXIDE - 2½, 5 LB.	12
CARBON DIOXIDE - 10, 15, 20 LB.	13
CLASS D - 30 LB. SUPER D (Sodium Chloride), 30 LB. COPPER	14
DRY CHEMICAL - Wheeled - Stored Pressure - 50 LB. ABC, REGULAR & PURPLE K	15
DRY CHEMICAL - Wheeled - Stored Pressure - 125 LB. ABC & PURPLE K, 150 LB. REGULAR	16
DRY CHEMICAL - Wheeled - N₂ Cylinder Operated - 110 FT³ - 125 LB. ABC & PK, 150 LB. REGULAR	17
DRY CHEMICAL - Wheeled - N₂ Cylinder Operated - 23 FT³ - 125 LB. ABC & PK, 150 LB. REGULAR	18
DRY CHEMICAL - Wheeled - N₂ Cylinder Operated - 55 FT³ - 300 LB. ABC & PK, 350 LB. REGULAR	19
HIGH PERFORMANCE DRY CHEMICAL - Wheeled - 125/250 LB. ABC, REGULAR, PURPLE-K	20
FOAM (AR-AFFF) - Wheeled - N₂ Cylinder Operated - 23 FT³ - 33 GAL.	21
CARBON DIOXIDE - Wheeled - 50 & 100 LB.	22
HALON 1211 - Wheeled - 150 LB.	23
CLASS D - Wheeled - 150 LB. SUPER D (Sodium Chloride), 250 LB. COPPER	24
HALOTRON I - Wheeled - 65 lb.	25
HALOTRON I - Wheeled - 150 lb.	26
NOVEC 1230 - Wheeled - 150lb.	27
WALL BRACKETS and MISCELLANEOUS ITEMS	28
VEHICLE and VEHICLE / MARINE BRACKET and COMPONENTS	29
ADAPTERS - FILL (Recharge) and HYDRO-TEST	30
RECHARGE AGENTS	31
AMEREX SERVICE / MAINTENANCE MANUALS and SDS Availability	32



PARTS LIST for 1 - 5 lb. Dry Chemical (Fixed Nozzle) Aluminum Valve Models

A620 - 1 lb. REG A/B410 - 2½ lb. PK
 417 - 2½ lb. ABC 425 - 5 lb. ABC
 A/B417 - 2½ lb. ABC 409 - 5 lb. REG
 403 - 2½ lb. REG A/B409 - 5 lb. REG
 A/B/C403 - 2½ lb. REG 416 - 5 lb. PK
 410 - 2½ lb. PK A/B416 5 lb. PK



ITEM NO.	PART NO.	DESCRIPTION
1	12699	Modified Valve Assembly
	11823	Standard Valve Assembly
2	14220	Hanger Loop w/Screw
3	12494	Nozzle - A620 (.076 SHORT)
	01926-P	417, A/B417 (.129)
	03741	409, A/B409, 416, A/B416 (.173P)
	03211	403, A/B/C 403 (.120ST)
	01276-P	410, A/B410 (.120)
	01925	425 (.157)
4	00160-P	Ring Pin
	16268	Ring Pin 1 lb. & 2 1/2 lb.
5	00532-P	Chain (Nylon) for Ring Pin
6	01387-P	Lock Wire Seal (Yellow)
7	11825	Lever & Rivet
8	01060-P	Rivet Only for Lever All Valves
9	02625	Lever & Rivet - MODIFIED VALVE
10	08184-P	Gauge - 100 PSI for A620
	03103-P	Gauge - 195 PSI
11	11826	Handle & Rivet
12	01064-P	Rivet Only for Handle - ALL VALVES
13	09001	Handle & Rivet - MODIFIED VALVE
14	05241-P	Collar O-Ring
15	06092-P	Valve Stem Assembly
16	01074-P	Spring
17	06069	Downtube/Retainer Assembly - A620
	01075	417, A417, C403, 403, A403, 410, A410
	06212	409, A/B409, 425, 416, A/B416, B403, B410, B417
ALL BRACKETS - SEE BRACKET PAGE		
ALL FILL & HYDRO-TEST ADAPTERS - SEE ADAPTERS PAGE		
All Valve Assemblies include Valve Body, Gauge, Lever and Handle (Loop and Screw on 11823)		



PARTS LIST for 5 - 20 lb. Dry Chemical (Hose & Horn) Aluminum Valve Models

- | | |
|---------------------|---------------------|
| 400 - 5 lb. ABC | 443 - 6 lb. ABC |
| A400 - 5 lb. ABC | A/B443 - 6 lb. ABC |
| A/B402 - 5 lb. ABC | B459 - 6 lb. REG |
| 500 - 5 lb. ABC | 456 - 10 lb. ABC |
| A/B500 - 5 lb. ABC | A/B456 - 10 lb. ABC |
| 453 - 5½ lb. REG | A/B457 - 10 lb. REG |
| A/B453 - 5½ lb. REG | A411 - 20 lb. ABC |
| 479 - 5 lb. PK | A412 - 20 lb. REG |
| A/B479 - 5 lb. PK | A413 - 20 lb. PK |



ITEM NO.	PART NO.	DESCRIPTION
1	11823	Valve Assembly - 5, 5½, 6 & 10 lb.
	11824	Valve Assembly - 20 lb.
2	14220	Hanger Loop with Screw
3	07641	Hose & Horn Asy - 400, A400 (.149)
	14849-P	A/B402 (.157)
	06215-P	453, A/B453, A/B500 (.147)
	05248	479, 500, 443, A/B479, A/B443 (.152)
	05564-P	456, A/B456, A/B457 (.191)
	11221-P	A411 (.209)
	11223	A412, A413 (.177)
	06541	ULC B456X (.166)
	11658	ULC A441X (.221)
08759	ULC B459X (.136)	
4	01532-P	Hose Gasket (O-Ring) - ALL 5, 6, & 10 lb.
	06978-P	A411, A412, A413
5	00160-P	Ring Pin
6	00532-P	Chain (Nylon) for Ring Pin
7	01387-P	Lock Wire Seal (Yellow)
8	11825	Lever & Rivet
9	01060-P	Rivet Only for Lever
10	02625	Lever & Rivet - MODIFIED VALVE
11	03103-P	Gauge - 195 PSI
12	11826	Handle & Rivet - 5 to 10 lb.
	12405	Handle & Rivet - 20 lb.
13	01064-P	Rivet Only for Handle - ALL 5 - 10 lb.
	12201-P	Rivet Only for Handle - 20 LB.
14	09001	Handle & Rivet - MODIFIED VALVE
15	05241-P	Collar O-Ring
16	06092-P	Valve Stem Assembly
17	01074-P	Spring
18	06212	Downtube/Retainer Asy - A/B402, 453, 479, 500, A/B453, A/B479, A/B500
	03397	400, 443, A400, A/B443
	01519	456, A/B456, A/B457
	11674	A411, A412, A413
19	15747-P	Strap & Clip Asy (Black Plastic - 3/8" Hose) ALL 5 - 10 lb.
	14778-P	Strap & Clip Asy (Black Plastic - 1/2" Hose) ALL 20 lb.
20	12383	Protective Ring for Bottom of 20 LB. Cylinder - 7" Diameter
		ALL BRACKETS - SEE BRACKET PAGE
		ALL FILL & HYDRO-TEST ADAPTERS - SEE ADAPTERS PAGE
		All Valve Assemblies include Valve Body, Gauge, Loop and Screw
		P/N: 5248 & 6215 Hose & Horn Asy's are both valid for use on Models 500 & 500T



PARTS LIST for 5 - 30 lb. Dry Chemical Brass Valve Models

424 - 5lb. ABC	419 - 10lb. ABC	B460 - 10lb. PK
B424 - 5lb. ABC	441 - 10lb. ABC	423 - 20lb. ABC
461 - 6lb. ABC	B441 - 10lb. ABC	408 - 20lb. REG
B461 - 6lb. ABC	447 - 10lb. REG	415 - 20lb. PK
462 - 6lb. REG	B447 - 10lb. REG	692 - 30lb. ABC
B462 - 6lb. REG	460 - 10lb. PK	693 - 30lb. PK

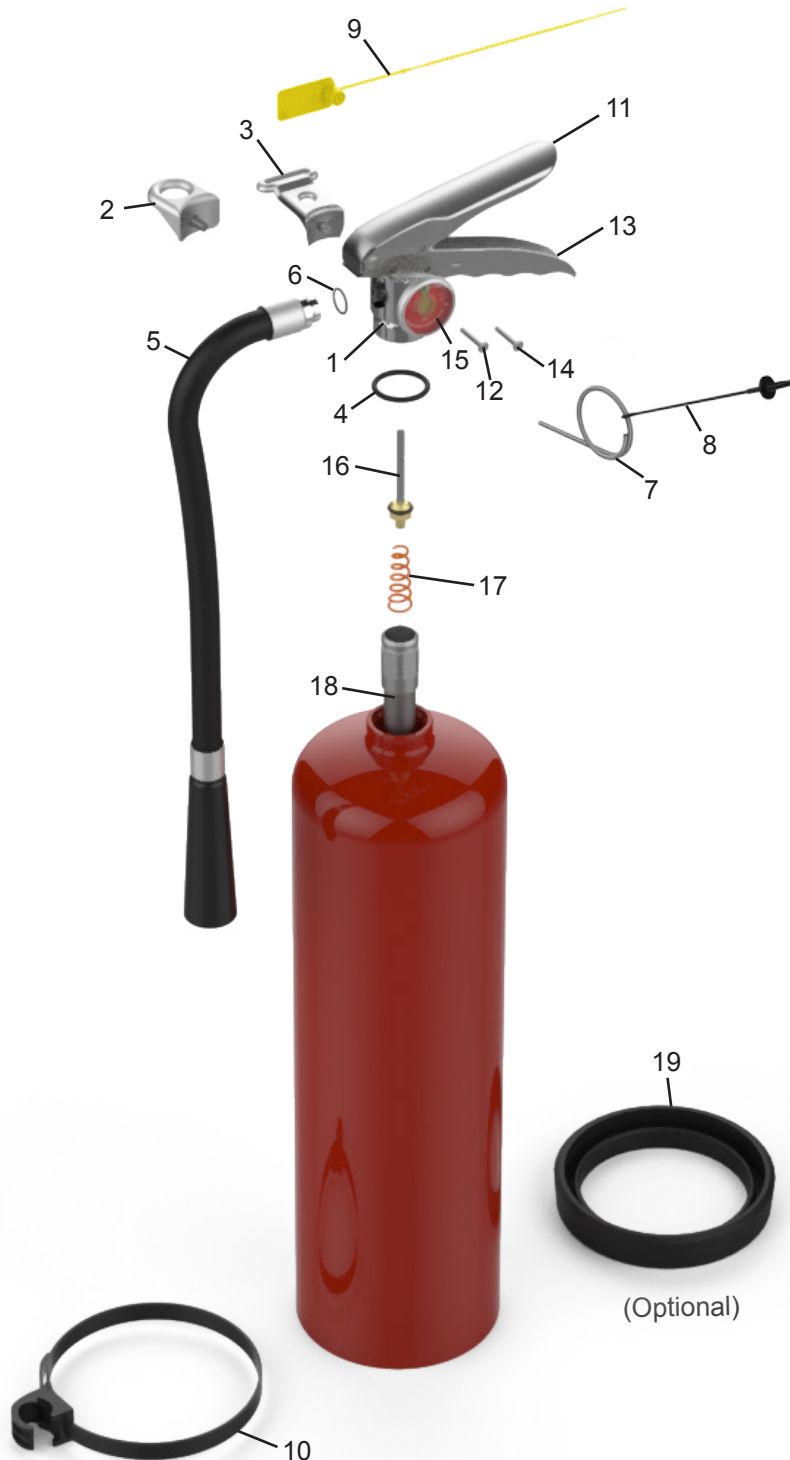


ITEM NO.	PART NO.	DESCRIPTION
1	11952	Valve Assembly - ALL MODELS
2	15363	Hanger Loop with Screw - "B" Models B441, B447, B460 (10 lb.)
3	16694	Hanger Loop with Screw 5 lb., 6 lb., & 20 lb.
	17144	Hanger Loop with Screw 692, 693
4	05240-P	Collar O-Ring
5	03753	Hose & Horn Asy - 424, B424 (.140)
	01178-P	441, 447-B447 (.173)
	03753	461-B461, 462-B462 (.140)
	06095-P	419, 460-B460, B441, (.152)
	03339-P	423 (.174)
	05174	415 (.177)
	03332	408 (.173)
	12603-P	692 (.216)
	13439	693 (.191)
	01304	ULC B441X (.157)
6	06978-P	Hose Gasket (O-Ring)
7	00160-P	Ring Pin, Stainless Steel
8	00532-P	Chain (Nylon) for Ring Pin
9	01387-P	Lock Wire Seal (Yellow)
10	15747-P	Strap & Hose Clip Asy (Black Plastic) 3/8" ALL 4 1/4 & 5" Diameter Cylinders (5/6/10 lb.)
	14778-P	Strap & Clip Assembly (Black Plastic) 1/2" ALL 7" Diameter Cylinders (20 lb.)
	14871-P	Strap & Hose Clip Asy (Black Plastic) 1/2" ALL 8" Diameter Cylinders (30 lb.)
11	07762	Lever & Rivet - ALL MODELS
12	01563-P	Rivet Only for Lever
13	09020	Handle & Rivets - ALL MODELS
14	01564-P	Rivets Only for Handle (2 Required)
15	03965-P	Gauge - 195 PSI
16	06093-P	Valve Stem Assembly
17	00383-P	Spring
18	01696	Downtube/Retainer Asy - 424-B424 (5lb.)
	01700	419 (10 lb. Short)
	03754	461-B461, 462-B462 (6 lb.)
	02609	441-B441, 447-B447, 460-B460 (10 lb. Tall)
	01667	408, 415, 423 (20 lb.)
	09583	692, 693 (30 lb.)
19	12383	Protective Ring for Bottom of Cylinder - 7" (20 lb.)
	12952	Protective Ring for Bottom of Cylinder - 8" (30 lb.)
ALL BRACKETS - SEE BRACKET PAGE		
ALL FILL & HYDRO-TEST ADAPTERS - SEE ADAPTERS PAGE		
All Valve Assemblies include Valve Body, Gauge, Lever and Handle		



PARTS LIST for 10 - 20 lb. High Flow Dry Chemical Brass Valve Models

720 - 10lb. ABC
721 - 10lb. REG
722 - 10lb. PK
760 - 20lb. ABC
761 - 20lb. REG
762 - 20lb. PK



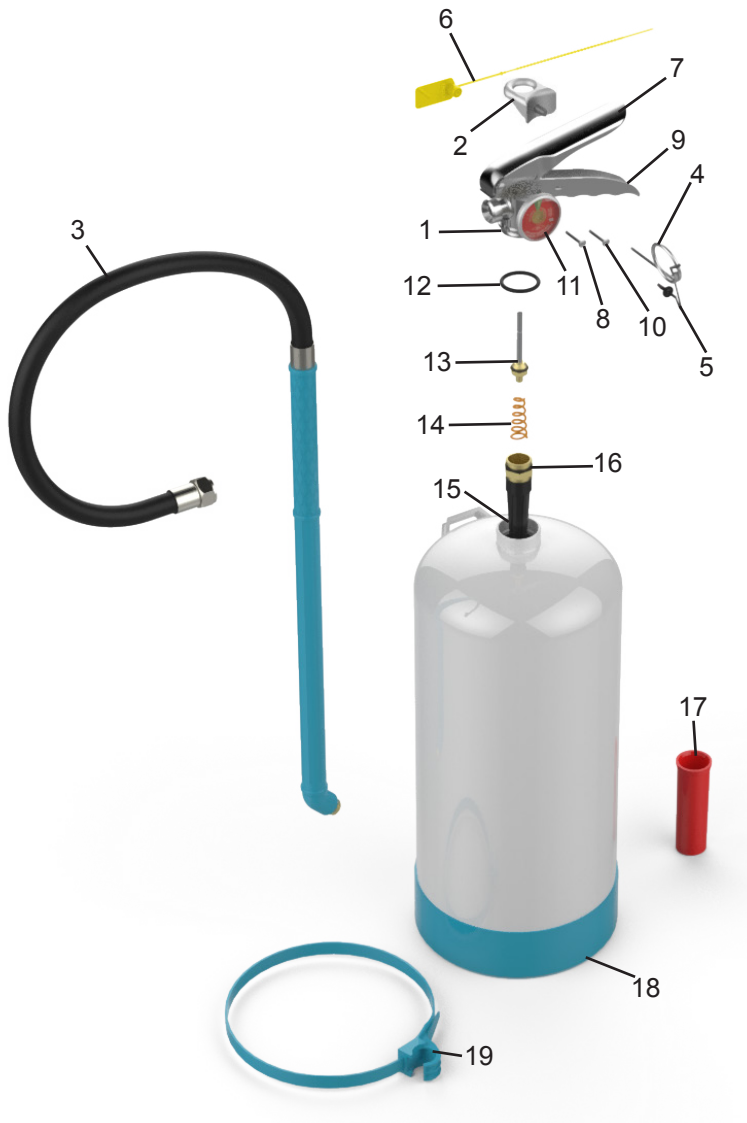
ITEM NO.	PART NO.	DESCRIPTION
1	11952	Valve Assembly - ALL MODELS
2	15363	Hanger Loop with Screw 720, 721, 722 (10 lb.)
3	16694	Hanger Loop with Screw 760,761,762 (20 lb.)
4	05240-P	Collar O-Ring
5	20914	Hose & Horn Asy - 720 (.312)
	20908	721, 722 (.250)
	20912	760 (.266)
	14044	761 (.234)
	20910	762 (.228)
6	06978-P	Hose Gasket (O-Ring)
7	00160-P	Ring Pin, Stainless Steel
8	00532-P	Chain (Nylon) for Ring Pin
9	01387-P	Lock Wire Seal (Yellow)
10	14778-P	Strap & Clip Assembly (Black Plastic) 1/2" ALL 7" Diameter Cylinders (20 lb.)
11	07762	Lever & Rivet - ALL MODELS
12	01563-P	Rivet Only for Lever
13	09020	Handle & Rivets - ALL MODELS
14	01564-P	Rivets Only for Handle (2 Required)
15	03965-P	Gauge - 195 PSI
16	06093-P	Valve Stem Assembly
17	00383-P	Spring
18	01667	Downtube/Retainer Asy - 760, 761, 762 (20 lb.)
	02609	720, 721, 722 (10 lb.)
19	12383	Protective Ring for Bottom of Cylinder - 7" (20 lb.)
ALL BRACKETS - SEE BRACKET PAGE		
ALL FILL & HYDRO-TEST ADAPTERS - SEE ADAPTERS PAGE		
All Valve Assemblies include Valve Body, Gauge, Lever and Handle		



PARTS LIST for 1³/₄ - 2¹/₂ gal. Water Mist Extinguisher Models

270 / B270 - 1³/₄ gal.

272 / B272 - 2¹/₂ gal.

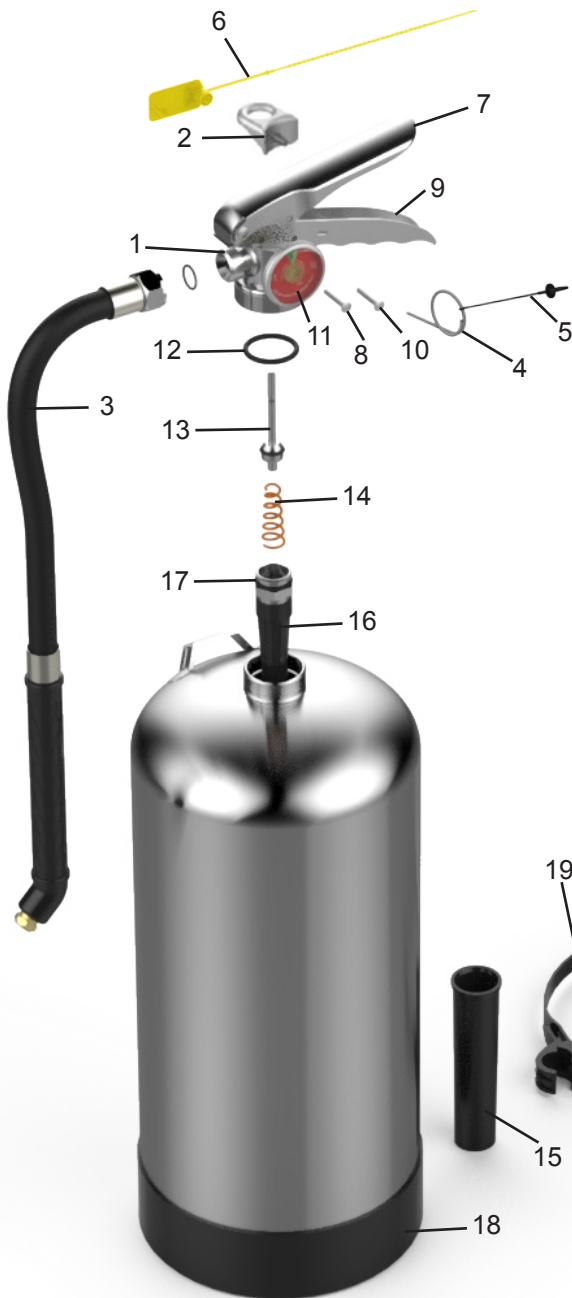


ITEM NO.	PART NO.	DESCRIPTION
1	17615	Valve Assembly - ALL MODELS
2	14380	Hanger Loop with Screw (Optional)
3	14184	Hose & Wand Assembly - 272, B272
	14318	Hose & Wand Assembly - 270, B270
4	06901	Ring Pin, Stainless Steel (Non-Magnetic)
5	00532-P	Chain (Nylon) for Ring Pin
6	01387-P	Lock Wire Seal (Yellow)
7	07762	Lever & Rivet - ALL MODELS
8	01563-P	Rivet Only for Lever
9	09020	Handle & Rivets - ALL MODELS
10	01564-P	Rivets Only for Handle (2 Required)
11	06479-P	Gauge - 100 PSI (S/S Tube)
12	05240-P	Collar O-Ring
13	06093-P	Valve Stem Assembly
14	00383-P	Spring
15	15943	Downtube/Retainer Asy - 272, B272
	15941	Downtube/Retainer Asy - 270, B270
16	05690-P	O-Ring Downtube / Retainer
17	02595	Fill Tube 272, B272 (Black)
	14316	Fill Tube 270, B270 (Red)
18	14187-P	Foot Stand (Blue)
19	14838-P	Strap & Clip Asy [Blue Plastic - 3/8"] (2 Required)
ALL FILL & HYDRO-TEST ADAPTERS - SEE ADAPTERS PAGE		
All Valve Assemblies include Valve Body, Gauge, Collar Nut, O-Ring, Lever and Handle		



PARTS LIST for 6 Liter and 2½ gal. Wet Chemical Models

260/B260 / B260CG - 6 Liter
262/B262 / B262CG - 2½ gal.



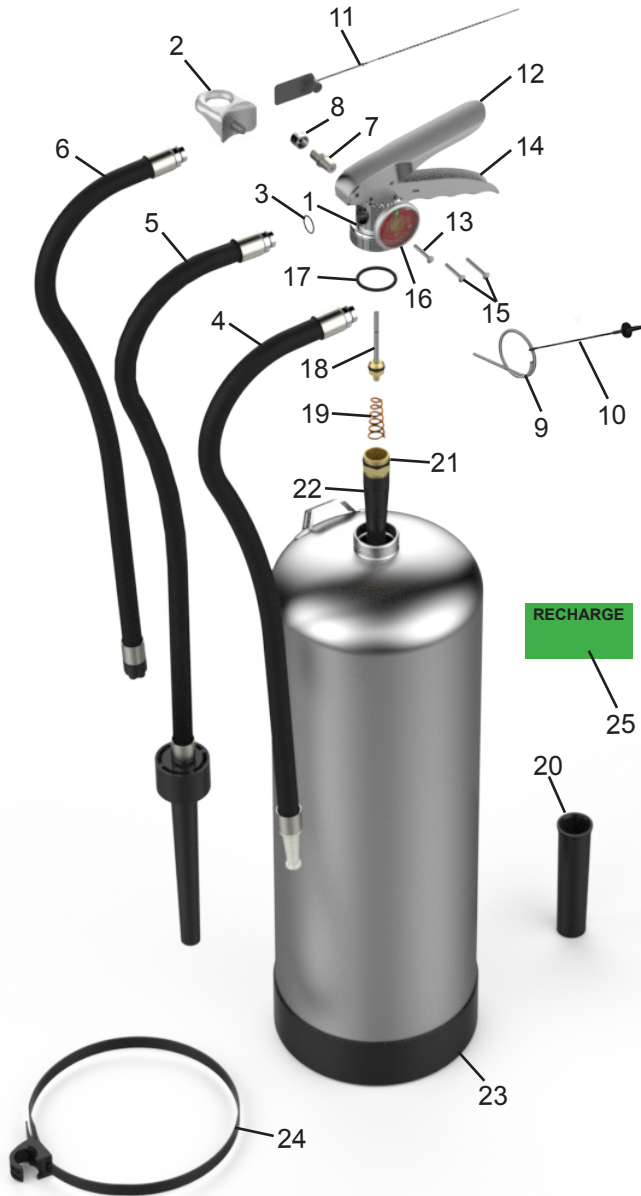
ITEM NO.	PART NO.	DESCRIPTION
1	14249	Valve Assembly - B260, B260CG, B262, B262CG
2	14380	Hanger Loop with Screw (OPTIONAL)
3	16043-P	Hose & Nozzle Assembly - B260, B260CG
	16101	Hose & Nozzle Assembly - B262, B262CG
4	00160-P	Ring Pin, Stainless Steel
5	00532-P	Chain (Nylon) for Ring Pin
6	01387-P	Lock Wire Seal (Yellow)
7	07762	Lever & Rivet - ALL MODELS
8	01563-P	Rivet Only for Lever
9	09020-P	Handle & Rivets - ALL MODELS
10	01564-P	Rivets Only for Handle (2 Required)
11	17420-P	Gauge - 100 PSI (S/S Tube) and Thread
12	05240-P	Collar O-Ring
13	14878-P	Valve Stem Assembly
14	00383-P	Spring
15	02595-P	Fill Tube Black
16	16266	Downtube/Retainer Asy - 260, B260, B260CG
	16267	Downtube/Retainer Asy - 262, B262, B262CG
17	05690-P	O-Ring Downtube / Retainer
18	03109-P	Foot Stand (Black)
19	14776-P	Strap & Clip Asy [Black Plastic - 3/8"]
20	14669-P	Placard (English/Spanish)
	15874	Placard (English/French)
ALL BRACKETS - SEE BRACKET PAGE		
ALL FILL & HYDRO-TEST ADAPTERS - SEE ADAPTERS PAGE		
All Valve Assemblies include Valve Body, Gauge, Collar Nut, O-Ring, Lever and Handle		





PARTS LIST for 6 Liter and 2½ gal. Water & Foam Models

240 - 2½ gal. Water
250 - 2½ gal. AR-AFFF Foam
254 - 6 Liter AR-AFFF Foam



ITEM NO.	PART NO.	DESCRIPTION
1	13281	Valve Assembly - 240 w/ air valve
	17616	Valve Assembly - 250, 254 w/o air valve
2	14380	Hanger Loop with Screw (OPTIONAL ON FOAM)
3	06978-P	Hose Gasket (O-Ring)
4	06999-P	Hose & Nozzle Assembly - 240
5	07000-P	Hose & Aspirated Black Nozzle Assembly - 250
6	13162	Hose & Spray Nozzle Assembly - 254
7	00155-P	Pressure Valve & Cap Assembly - 240 Only
8	00158-P	Cap Only for Pressure Valve - 240 Only
9	00160-P	Ring, Pin Stainless Steel
10	00532-P	Chain (Nylon) for Ring Pin
11	01387-P	Lock Wire Seal (Yellow)
12	07762	Lever & Rivet - ALL MODELS
13	01563-P	Rivet Only for Lever
14	09020	Handle & Rivets - ALL MODELS
15	01564-P	Rivets Only for Handle (2 Required)
16	06479-P	Gauge - 100 PSI (S/S Tube)
17	05240-P	Collar O-Ring
18	06093-P	Valve Stem Assembly
19	00383-P	Spring
20	02595-P	Fill Tube (Black)
21	05690-P	O-Ring Downtube / Retainer
	15943	Downtube/Retainer Asy - 240,250
22	15941	Downtube/Retainer Asy - 254
	03576-P	Foot Stand with Clip (Black) - 240
	03776	Foot Stand with Post (Black) - 250
23	03109-P	Foot Stand (Black) - 254
	14776-P	Strap & Clip Assembly (Model 254 Only)
24	14776-P	Strap & Clip Assembly (Model 254 Only)
25	25078	Decal Recharge 502/504
ALL BRACKETS - SEE BRACKET PAGE		
ALL FILL & HYDRO-TEST ADAPTERS - SEE ADAPTERS PAGE		
All Valve Assemblies include Valve Body, Gauge, Collar Nut, O-Ring, Lever and Handle		

240H VALVE?



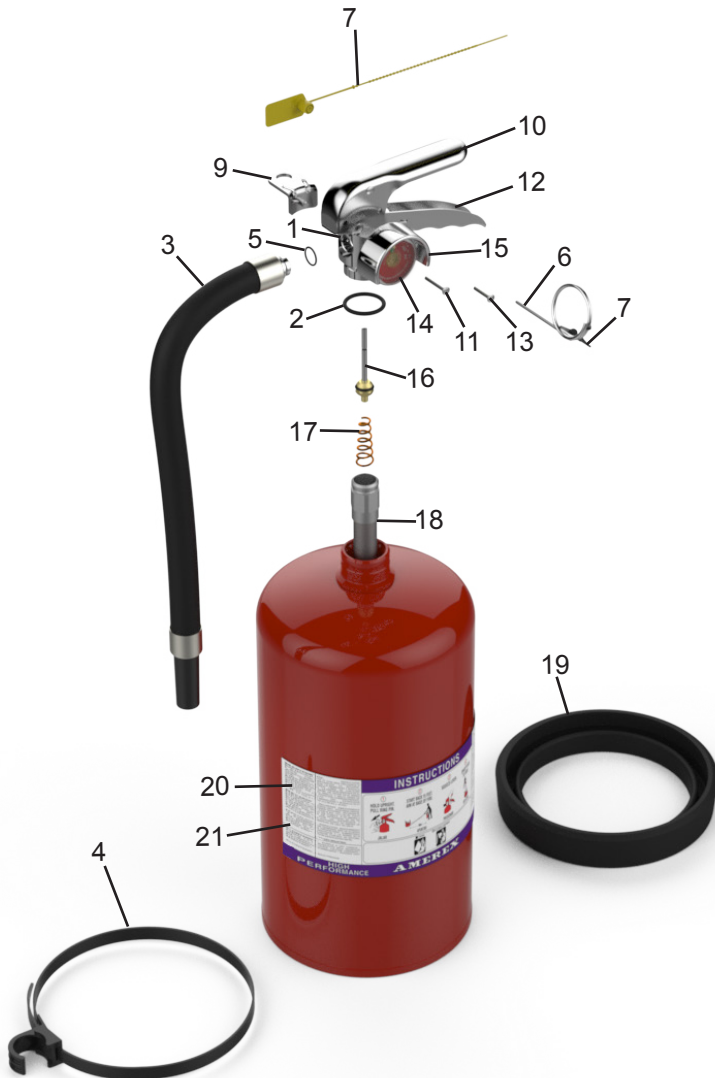
PARTS LIST for 6 Kg - 30 lb. Dry Chemical High Performance and Z-Series Models

High Performance

564 - 20lb. ABC CF	568 - 30lb. REG FF	589 - 30lb. ABC CF
566 - 20lb. PK CF	569 - 30lb. PK FF	591 - 30lb. PK CF
567 - 30lb. ABC FF	580 - 20lb. PK FF	592 - 6kg. ABC CF
	581 - 20lb. ABC FF	594 - 6kg. ABC FF
	582 - 20lb. REG FF	595 - 6kg. PK FF
	584 - 20lb. PK FF	599 - 6kg. PK CF

Z-Series

714 - 20lb. ABC CF	724 - 30lb. REG FF	715 - 30lb. ABC FF
717 - 20lb. PK CF	796 - 30lb. PK FF	718 - 30lb. PK CF
792 - 30lb. ABC FF	795 - 20lb. PK FF	713 - 6kg. ABC CF
	791 - 20lb. ABC FF	790 - 6kg. ABC FF
	723 - 20lb. REG FF	793 - 6kg. PK FF
	794 - 20lb. PK FF	716 - 6kg. PK CF



* **Note:** Hose assemblies for older extinguishers utilizing a swivel type connector are no longer available. Order valve assembly 14874 and hose listed in the table for that model.

** Nameplates do not include UL and USCG Listing.

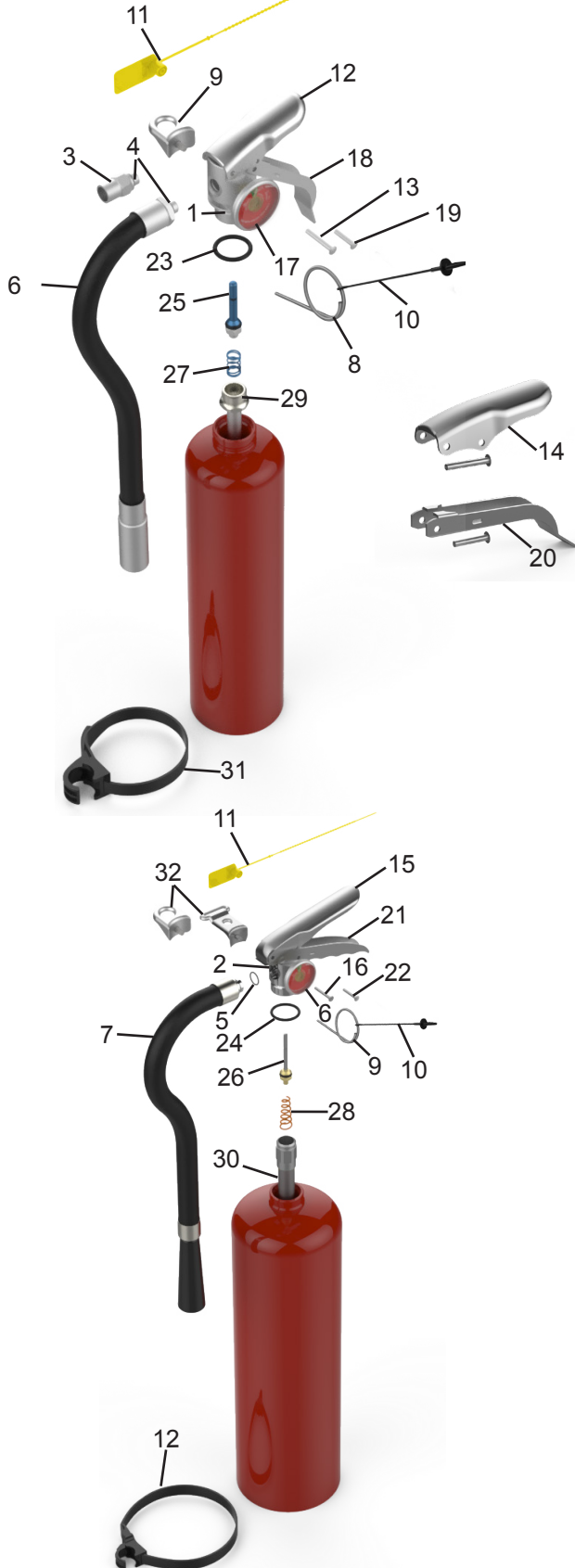
ITEM NO.	PART NO.	DESCRIPTION
1	14874	Valve Assembly - (Female Outlet Thread)
2	05240-P	Collar O-Ring
3*	14785	Hose & Horn Assembly - 594 (.213)
	14791	Hose & Horn Assembly - 595 (.204)
	14788	Hose & Horn Assembly - 580, 581, 582 (.250)
	14790	Hose & Horn Assembly - 592 (.166)
	14794	Hose & Horn Assembly - 599 (.149)
	14787	Hose & Horn Assembly - 564 (.166)
	14786	Hose & Horn Assembly - 566 (.157)
	14789-P	Hose & Horn Assembly - 567, 568, 569, 584 (.312)
	14947	Hose & Horn Assembly - 589 (.213)
	14948	Hose & Horn Assembly - 591 (.180)
4	14778-P	Strap & Clip Assembly (Black Plastic) 1/2" Hose 6kg (13.2 lb.) & 20 lb.
	14871-P	Strap & Clip Assembly (Black Plastic) 1/2" Hose 30 lb.
5	06978-P	Hose Gasket (O-Ring)
6	00160-P	Ring, Pin Stainless Steel
7	00532-P	Chain (Nylon) for Ring Pin
8	01387-P	Lock Wire Seal (Yellow)
9	09584	Hanger Loop with Screw
10	09840	Lever & Rivet - ALL MODELS
11	01563-P	Rivet Only for Lever
12	09020	Handle & Rivets - ALL MODELS
13	01564-P	Rivets Only for Handle (2 Required)
14	05225	Gauge - 240 PSI
15	09102	Gauge Guard, Chrome Plated Brass
16	06093-P	Valve Stem Assembly
17	00383-P	Spring
18	01700	Downtube/Retainer Asy - 6kg (13.2 lb.)
	01667	Downtube/Retainer Asy - 20 lb.
	09583	Downtube/Retainer Asy - 30 lb.
19	12383	Protective Foot Ring for Bottom of Cylinder 7" Dia. - 20lb. & 6kg. (13.2lb.)
	12952	Protective Foot Ring for Bottom of Cylinder 8" Dia. - 30lb.
20**	23504	Nameplate 592, 594
	23505	Nameplate 595, 599
	23506	Nameplate 564, 581
	23507	Nameplate 566, 580, 584
	23508	Nameplate 582
	23509	Nameplate 567, 589
	23510	Nameplate 569, 591
	23511	Nameplate 568
21**	26964	Nameplate 713, 790 Z-SERIES
	26967	Nameplate 716, 793 Z-SERIES
	26965	Nameplate 714, 791 Z-SERIES
	26968	Nameplate 717, 794, 795 Z-SERIES
	26970	Nameplate 723 Z-SERIES
	26966	Nameplate 715, 792 Z-SERIES
	26969	Nameplate 718, 796 Z-SERIES
	26971	Nameplate 724 Z-SERIES

All Valve Assemblies include Valve Body, Gauge, Gauge Guard, Hanger Loop, Lever and Handle



PARTS LIST for 1¼ - 20 lb. Halon 1211 Extinguisher Models

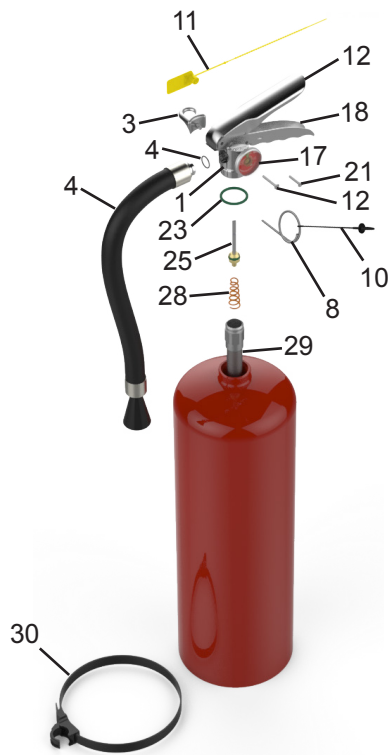
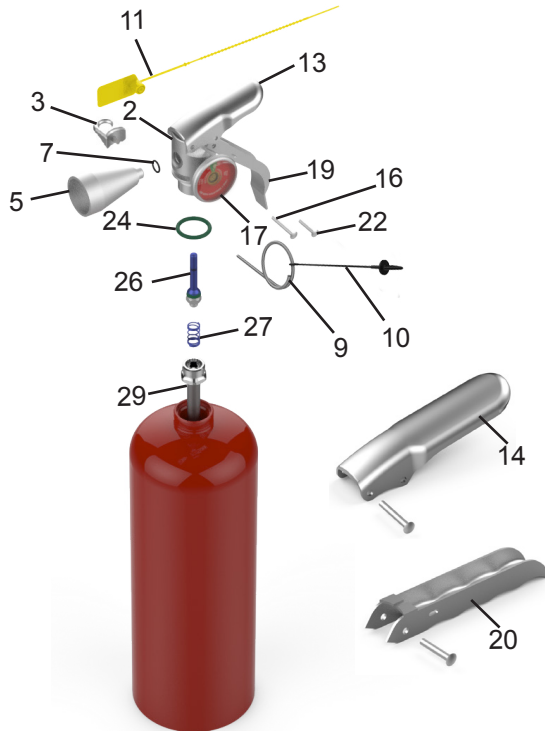
- | | | |
|-----------------|----------------|---------------|
| 344 - 1¼ lb. | A/C354 - 3 lb. | 371 - 13 lb. |
| A344 - 1¼ lb. | 355 - 5 lb. | B371 - 13 lb. |
| 352 - 2½ lb. | A355 - 5 lb. | 361 - 17 lb. |
| A/C352 - 2½ lb. | B355 - 5 lb. | B361 - 17 lb. |
| 354 - 3 lb. | 369 - 9 lb. | 372 - 20 lb. |
| | B369 - 9 lb. | B372 - 20 lb. |



ITEM NO.	PART NO.	DESCRIPTION
1	11953	Valve Assembly - ALUMINUM MODELS (Except 344, A344, 354, A/C354)
	12597	Valve Assembly - 344, A344
	16275	Valve Assembly - 354, A/C354
2	11954	Valve Assembly - ALL BRASS MODELS
3	06066	Nozzle with O-Ring - 344, A344 (.067)
	07115	Nozzle with O-Ring - 352, A/C352 (.098)
	01727-P	Nozzle with O-Ring - 355, A/B355 (.144)
4	01532-P	Hose/Nozzle Gasket (O-Ring) - Aluminum Valve
5	06978-P	Hose Gasket (O-Ring) - Brass Valve
6	06421	Hose & Horn Assembly - 354, A/C354 (.098)
	05180	Hose & Horn Assembly - 369, B369 (.216)
	05178	Hose & Horn Assembly - 371, B371 (.234)
	05176	Hose & Horn Assembly - 361 (.152)
7	05174	Hose & Horn Assembly - 372 (.177)
	16268	Ring Pin 1 1/4 lb., 2 1/2 lb.
8	00160-P	Ring Pin, Stainless Steel
9	00532-P	Chain (Nylon) for Ring Pin
10	01387-P	Lock Wire Seal (Yellow)
11	11825	Lever & Rivet
12	01060-P	Rivet Only for Lever - ALL ALUMINUM MODELS
13	02625	Lever & Rivet - MOD Valve
14	07762	Lever & Rivet - Brass Valve Models
15	01563-P	Rivet Only for Lever - Brass Valve
16	04839-P	Gauge - 100 PSI - 344, A344
	03105	Gauge - 125 PSI - 352, A/C352, 355, A/B355
	03106-P	Gauge - 195 PSI - 354, A/C354, B361, 369, B369, 371, B371, 372
17	11826	Handle & Rivet
18	01064-P	Rivet Only for Handle - ALL ALUMINUM MODELS
19	09001	Handle & Rivet - MOD Valve
20	09020	Handle & Rivet - Brass Valve
21	01564-P	Rivets for Handle (2 Required) - Brass Valve
22	05241-P	Collar O-Ring - Aluminum Valve
23	05240-P	Collar O-Ring - Brass Valve
24	06092-P	Valve Stem Assembly - Aluminum Valve
25	06093-P	Valve Stem Assembly - Brass Valve
26	01074-P	Spring - All Aluminum Valve
27	00383-P	Spring - All Brass Valve
28	06069	Downtube/Retainer Asy - 344, A344
	01075	Downtube/Retainer Asy - 352, A/C352, 354, A/C354
	24302	Downtube/Retainer Asy - 355, A/B355
29	03754	Downtube/Retainer Asy - 369, B369
	02609	Downtube/Retainer Asy - 371, B371
	01667	Downtube/Retainer Asy - B361, B372
30	15747-P	Strap & Clip Assembly (Black Plastic) 3/8" Hose 354, A/C354
	14778-P	Strap & Clip Assembly (Black Plastic) 1/2" Hose 361, 372, 369, B369, 371, B371
31	15363	Hanger Loop with Screw B371
	16694	Hanger Loop with Screw 361, B369, 372
32	14220	Hanger Loop with Screw - Aluminum Valve
33	ALL BRACKETS - SEE BRACKET PAGE	
ALL FILL & HYDRO-TEST ADAPTERS - SEE ADAPTERS PAGE		
All Valve Assemblies include Valve Body, Gauge, Lever and Handle (Loop and Screw 11953) - (12597, 16275 - complete valve assembly)		



PARTS LIST for 1¼ lb. - 15½ lb. Halotron I Extinguisher Models



- A384 - 1.4 lb. 387 - 11 lb.
- A385 - 2½ lb. 397 - 11 lb.
- B385 - 2½ lb. 388 - 15½ lb.
- A386 - 5 lb. 398 - 15½ lb.
- B386 - 5 lb.
- B394 - 5½ lb.

ITEM NO.	PART NO.	DESCRIPTION
1	14527	Valve Assembly - 397, 398
2	14525	Valve Assembly - 384
	14526	Valve Assembly - 385, B385, 386, B386
	16331	Valve Assembly - B394
3	14220	Hanger Loop with Screw - 384, A/B385, A/B386, B394
	16694	Hanger Loop with Screw - 387, 388, 397, 398
4	14436	Hose & Nozzle Assembly - 387, 397 (.247)
	14449	Hose & Nozzle Assembly - 388, 398, (.295)
5	14407	Nozzle - 384 (.121)
	14408	Nozzle - A/B385 (.166)
	14409-P	Nozzle - A/B386, B394 (.277)
6	06978-P	O-Ring Hose Assembly, Brass Valve
7	01532-P	O-Ring, Nozzle - Aluminum Valve
8	00160-P	Ring Pin
9	16268	Ring Pin 1 1/4, 2 1/2
10	00532-P	Chain (Nylon) for Ring Pin - ALL
11	01387-P	Lock Wire Seal (Yellow) - ALL
12	07762	Lever & Rivet - All Brass Valve
13	02625	Lever & Rivet - MOD Aluminum Valve
14	11825	Lever & Rivet - Aluminum Valve
15	01563-P	Rivet Only for Lever - Brass Valve
16	01060-P	Rivet Only for Lever - Aluminum Valve
17	14418	Gauge - 125 PSI - 384, 387, 388, 397, 398
	14417	Gauge - 100 PSI - A/B385, A/B386
	16332	Gauge - 150 PSI - B394
18	09020	Handle & Rivets - 387, 388, 397, 398
19	09001	Handle & Rivet - MOD Aluminum Valve
20	11826	Handle & Rivet - Aluminum Valve
21	01564-P	Rivet Only for Handle (2 Required) - Brass Valve
22	01064-P	Rivet Only for Handle - Aluminum Valve
23	13305-P	Collar O-Ring (Green) - Brass Valve
24	14268-P	Collar O-Ring (Green) - Aluminum Valve
25	13288-P	Valve Stem Assembly (Green Seal) - Brass Valve
26	14327-P	Valve Stem Assembly (Green Seal) - Aluminum Valve
27	01074-P	Spring - All Aluminum Valve
28	00383-P	Spring - All Brass Valve
29	06069	Downtube/Retainer Asy - 384
	01075	Downtube/Retainer Asy - 385
	24302	Downtube/Retainer Asy - A/B386, B385, B394
	15507	Downtube/Retainer Asy - 397, 398
30	14778-P	Strap & Clip Assembly (Black Plastic) 1/2" Hose 397, 398

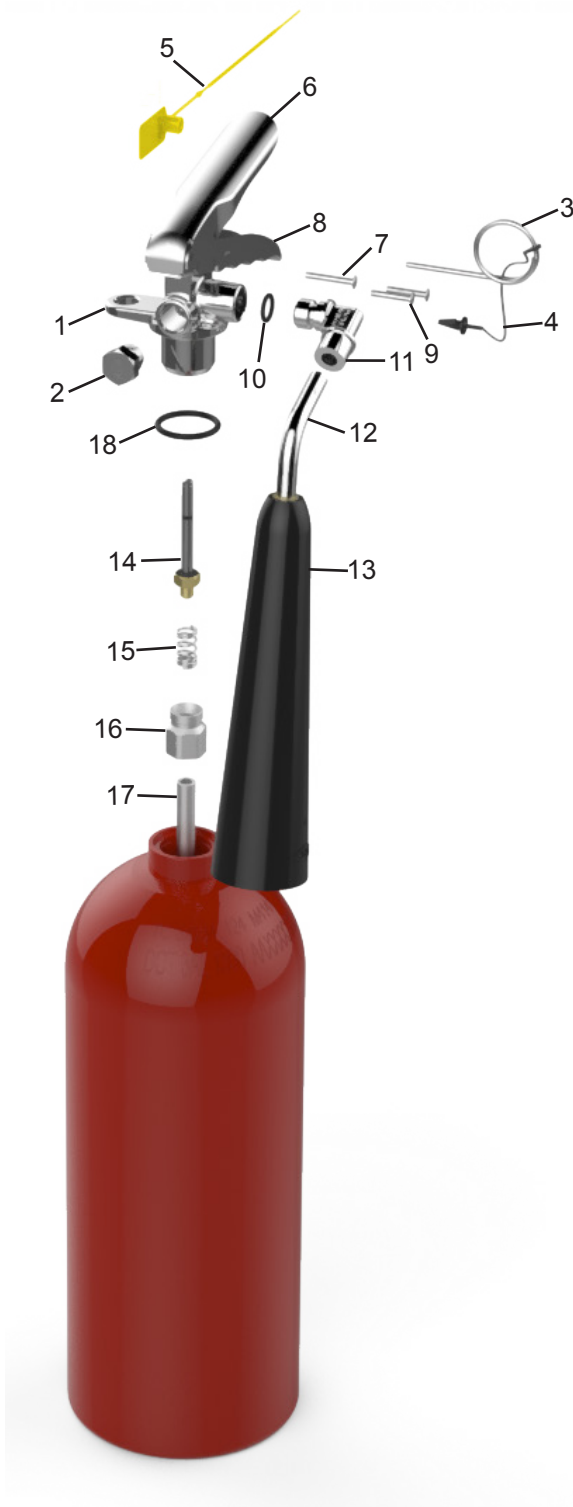
All Valve Assemblies include New Valve Body, Gauge, Lever and Handle. (Valve Assembly 14526 also includes hanger loop.) (16331 - complete valve assembly)



PARTS LIST for 2½ / 5 lb. Carbon Dioxide Extinguisher Model

- 320 - 2½ lb.
- 320NM - 2½ lb.
- 321 - 2½ lb.
- 321M - 2½ lb.
- 322 - 5 lb.
- 322NM - 5 lb.

NM - Non Magnetic
M - Military



ITEM NO.	PART NO.	DESCRIPTION
1	03090-P	Valve Assembly - 322, (Does not include elbow or downtube)
2	04000-P	Safety Disc, Gasket and Nut Assembly - 320, 322
	22895	Safety Disc, Gasket and Nut Assembly - 321M
3	00160-P	Ring Pin, Stainless Steel - 322
	06901	Ring Pin, Stainless Steel Non-Magnetic - 320NM, 322NM
	16268	Ring Pin, Stainless Steel (Small) - 321M
4	00532-P	Chain (Nylon) for Ring Pin
5	01387-P	Lock Wire Seal (Yellow) - ALL
	07762	Lever & Rivet - 322
6	23076	Lever & Rivet - 321M
	01563-P	Rivet Only for Lever
7	09020	Handle & Rivets - 322
	23077	Handle & Rivets - 321M
8	01564-P	Rivet Only for Handle (2 Required)
9	05689-P	O-Ring for Elbow
10	02735	Elbow with O-Ring
	01769-P	Discharge Tube - 322
11	22582	Discharge Tube - 321M
	01772-P	Horn - 322
12	22400	Horn - 321M
	01539-P	Valve Stem Assembly
13	00501-P	Spring
14	00503-P	Retainer
	00533	Downtube - 322
15	22443	Downtube - 321M
	01124-P	Collar O-Ring - 1 1/8"

All Valve Assemblies include Valve Body, Valve Stem Assembly, Spring, Retainer, Safety Disc, Lever and Handle

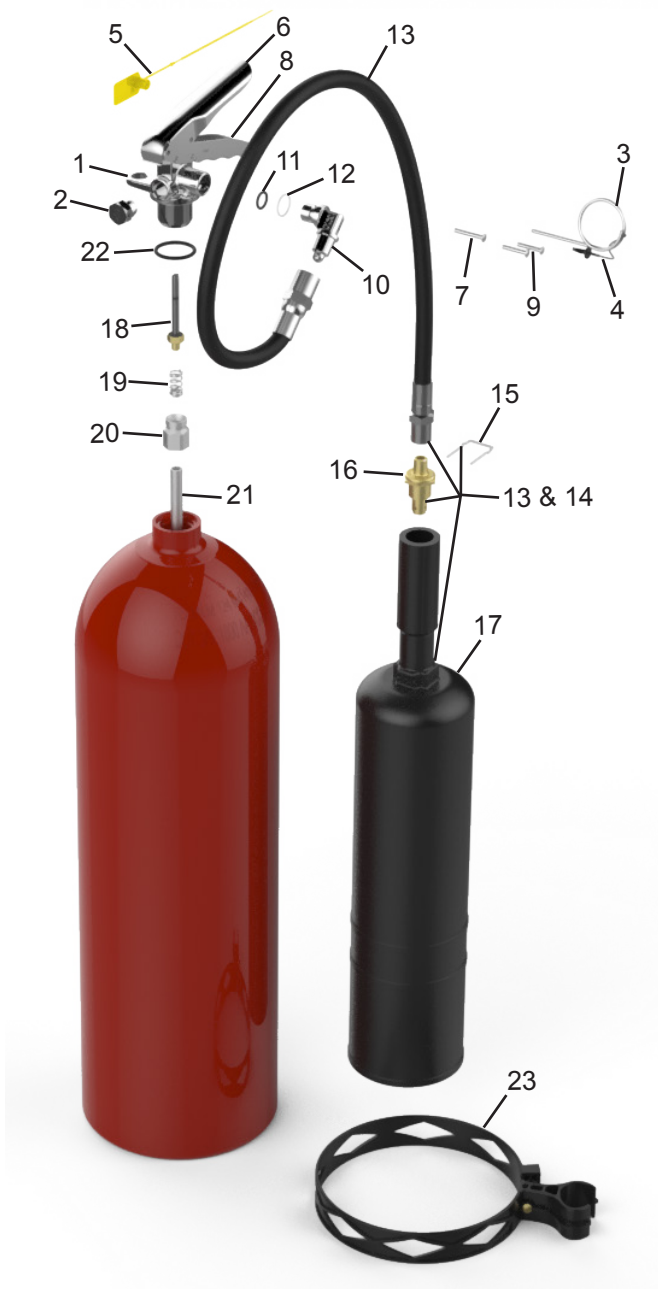


PARTS LIST for 10 - 20 lb. Carbon Dioxide Extinguisher Models

330 - 10 lb.

331 - 15 lb.

332 - 20 lb.



ITEM NO.	PART NO.	DESCRIPTION
1	26846	Valve Assembly
2	04000-P	Safety Disc, Gasket and Nut Assembly
3	00160-P	Ring Pin, Stainless Steel
	06901	Ring Pin, Stainless Steel Non Magnetic
4	00532-P	Chain (Nylon) for Ring Pin
5	01387-P	Lock Wire Seal (Yellow) - ALL
6	07762	Lever & Rivet
7	01563-P	Rivet Only for Lever
8	09020	Handle & Rivets
9	01564-P	Rivet Only for Handle (2 Required)
10	02309	Elbow with O-Ring and Spacer
11	05689-P	O-Ring for Elbow
12	02216-P	Nylon Spacer for Elbow
13	01776	Hose Assembly - 330, 331, 332
	01782	Hose & Horn Assembly - 330
14	01705-P	Hose & Horn Assembly - 331, 332
	00594-P	U-Pin
16	01777	Nozzle
17	00572-P	Horn - 330
	00593	Horn - 331, 332
18	01539-P	Valve Stem Assembly
19	00501-P	Spring
20	00503-P	Retainer
21	00564	Downtube - 330
	00589	Downtube - 331, 332
22	01124-P	Collar O-Ring - 1 1/8"
	20570-P	Strap & Clip - 330, 331
23	20571-P	Strap & Clip - 332

All Valve Assemblies include Valve Body, Stem Assembly, Spring, Retainer, Safety Disc, Lever and Handle.



PARTS LIST for 30 lb. Class D Extinguisher Models

570 - Sodium Chloride (Super D)
 B570 - Sodium Chloride (Super D)
 571 - Copper
 B571 - Copper



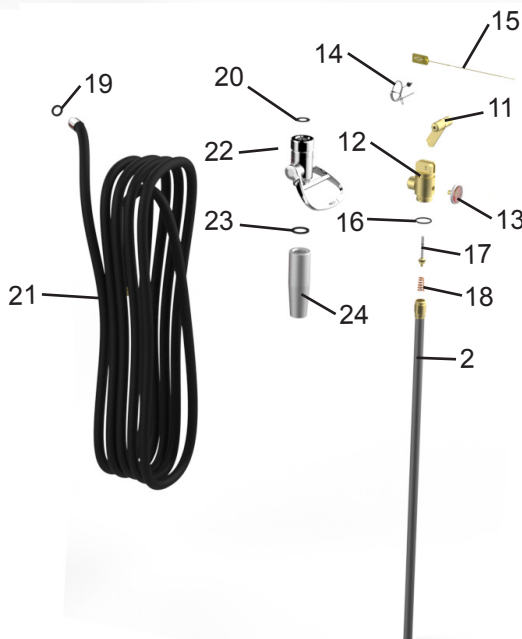
ITEM NO.	PART NO.	DESCRIPTION
1	11952	Valve Assembly
2	17144	Hanger Loop with Screw B570, B571
3	05240-P	Collar O-Ring
4	10744	Hose Asy w/ 1/2" Male Quick Connect
5	10802	Female 1/2" Female Quick Connect
6	09073	O-Ring for Quick Connect
7	10800	Extension Applicator
8	06978-P	Hose Gasket (O-Ring)
9	00160-P	Ring Pin, Stainless Steel
10	00532-P	Chain (Nylon) for Ring Pin
11	01387-P	Lock Wire Seal (Yellow)
12	07762	Lever & Rivet
13	01563-P	Rivet Only for Lever
14	09020	Handle & Rivets
15	01564-P	Rivets Only for Handle (2 Required)
16	03965-P	Gauge - 195 PSI
17	06093-P	Valve Stem Assembly
18	00383-P	Spring - B570, B571
19	17214	Downtube/Retainer Asy - B570, B571
20	23068-P	Strap & Clip - B570, B571
21	12383	Protective Ring for 7" Cylinder 570, 571
	12952	Protective Ring for 8" Cylinder B570, B571
22	08281	Label (Fire Ratings) - 570/B570
	10853	Label (Fire Ratings) - 571/B571

All Valve Assemblies include Valve Body, Gauge, Lever and Handle



PARTS LIST for 50 lb. Dry Chemical Wheeled Extinguisher Models

495 - 50 lb. ABC
496 - 50lb. REG
497 - 50lb. PK



ITEM NO.	PART NO.	DESCRIPTION
1	06018	Valve Assembly Complete with Downtube
2	06072	Downtube/Retainer Assembly
3	06625	Carriage Assembly without Wheels
	06074	Carriage Assembly with Wheels
4	00155-P	Pressure Valve and Cap Assembly (Older Models Only)
5	06374	Hose Support with Hardware, Hose Clip and Nozzle Mount
6	06375	Hose Clip with Mounting Hardware (Older Models Only)
7	06376	Nozzle Mount with Hardware
8	07480	Pictogram - Model 495
	07482	Pictogram - Models 496, 497
9	06377	Wheel Assembly 12½" with Hub Cap, Washer and Retaining Pin (Semi-Pneumatic)
10	04945-P	Hub Cap
11	06373	Valve Lever ("T" Handle - Complete)
12	06153	Valve Body
13	05225	Gauge - 240 PSI
14	06100	Ring Pin, Stainless Steel with Wire
15	01387-P	Lock Wire Seal (Yellow)
16	05240-P	Collar O-Ring
17	06022-P	Valve Stem Assembly
18	00383-P	Spring
19	07247-P	Gasket, Hose
20	06056-P	Gasket Valve
21	06015	Hose Assembly 1/2 in. X 25 ft. with Gasket
22	06031	Ball Valve Assembly
23	03877-P	Gasket, Nozzle
24	06208	Nozzle Tip - 495 (.328)
	06032	Nozzle Tip - 496 (.265)
	06210	Nozzle Tip - 497 (.281)
25*	25017	Nameplate 495
	25019	Nameplate 496
	25021	Nameplate 497

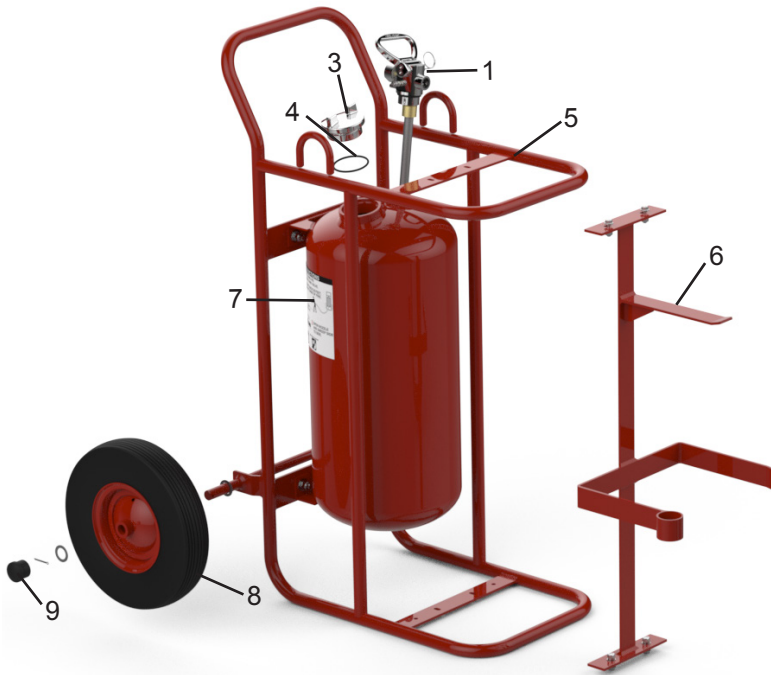
Replacement Valve Assemblies include Valve Body, Gauge, Lever, Valve Stem Assembly, Spring and Downtube/Retainer Assembly

* Nameplates do not include UL or USCG Listing.



PARTS LIST for 125/150 lb. Dry Chemical Stored Pressure Wheeled Extinguisher Models

488 - 125 lb. ABC
489 - 150 lb. REG
490 - 125 lb. PK



ITEM NO.	PART NO.	DESCRIPTION
1	05197	Valve Assembly Complete with Downtube
2	04938	Downtube/Retainer Assembly
3	09300	Fill Cap
4	08392	Gasket, Fill Cap
5	10431	Carriage Assembly without Wheels
6	10430	Hose Support with Hardware
7	07481-P	Pictogram - 488
	07483	Pictogram - 489, 490
8	07751	Wheel Assembly 16" with Hub Cap, Washer and Retaining Pin (Semi-Pneumatic)
	10234	Wheel Assembly 16" with Hub Cap, Washer and Retaining Pin (Pneumatic) (OPTIONAL)
9	04945-P	Hub Cap
10	06059	Valve Lever with Screws
11	03562	Gauge Guard Assembly
12	05225	Gauge - 240 PSI
13	06100	Ring Pin, Stainless Steel with Wire
14	00155-P	Pressure Valve and Cap Assembly
15	01387-P	Lock Wire Seal (Yellow)
16	03678	Valve Body
17	06060	Cam Assembly with O-Rings
18	14218	Pipe Plug - For Safety Disc Port
19	05239-P	Collar O-Ring
20	05067	Valve Stem Assembly
21	03556-P	Spring
22	03501	Hose Assembly 3/4 in. x 50 ft. without Gasket
23	03877-P	Gasket, Hose and Nozzle
24	06279	Ball Valve Assembly
25	06470	Nozzle Tip - 488, 489, 476, 477 (.344)
	06208	Nozzle Tip - 490 (.328)
26*	24973	Nameplate 488
	24975	Nameplate 489
	24977	Nameplate 490

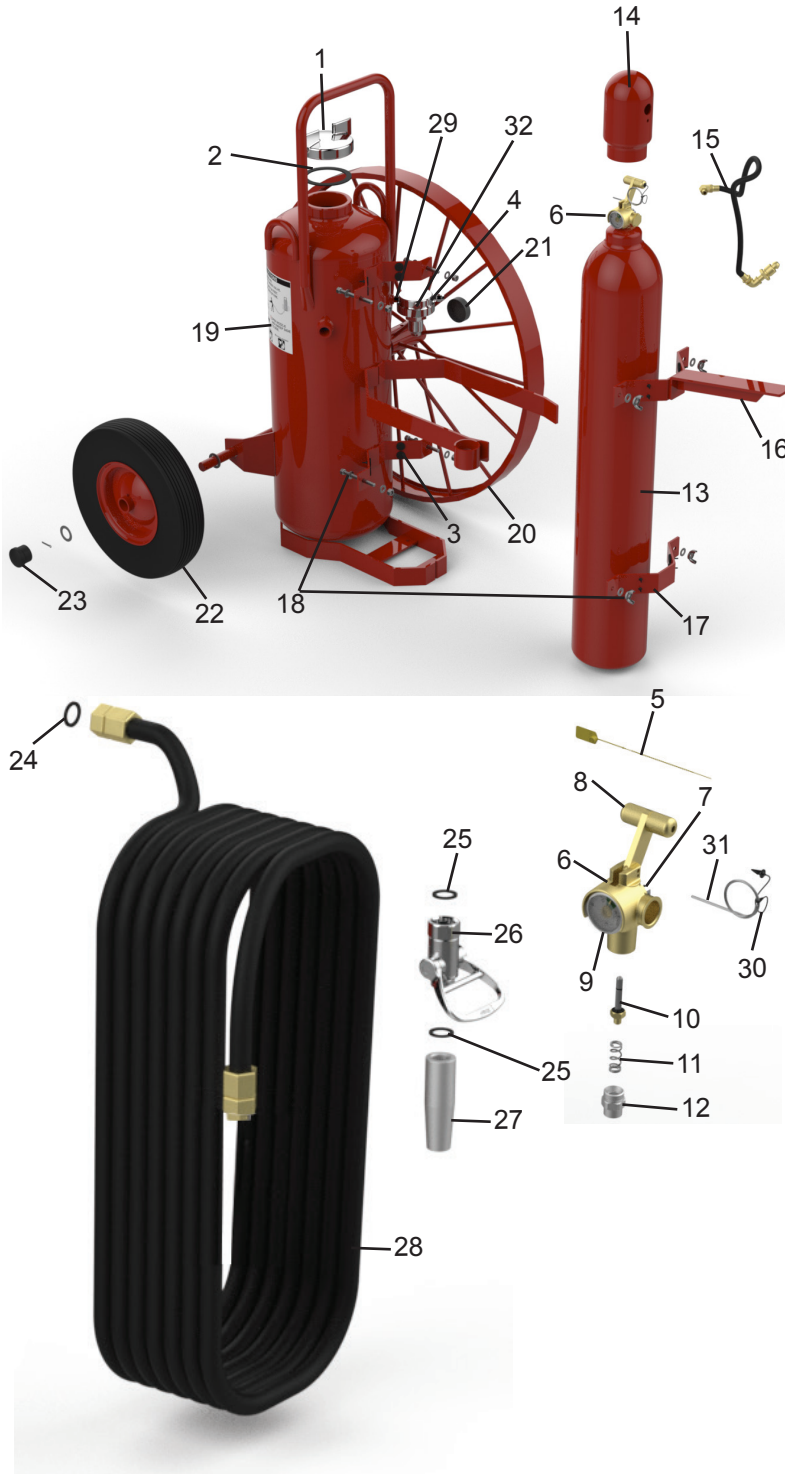
Replacement Valve Assemblies include Valve Body, Gauge, Gauge Guard, Cam, Pressure Valve & Cap, Lever, Valve Stem Assembly, Spring, Downtube/Retainer Assembly

* Nameplates do not include UL or USCG Listing.



PARTS LIST for 125/150 lb. Dry Chemical 110 CU. FT. Nitrogen Cylinder Wheeled Extinguisher Models

16" WHEELS	36" WHEELS
467 - 125lb. ABC	470 - 125lb. ABC
468 - 150lb. REG	471 - 150lb. REG
469 - 125lb. PK	472 - 125lb. PK



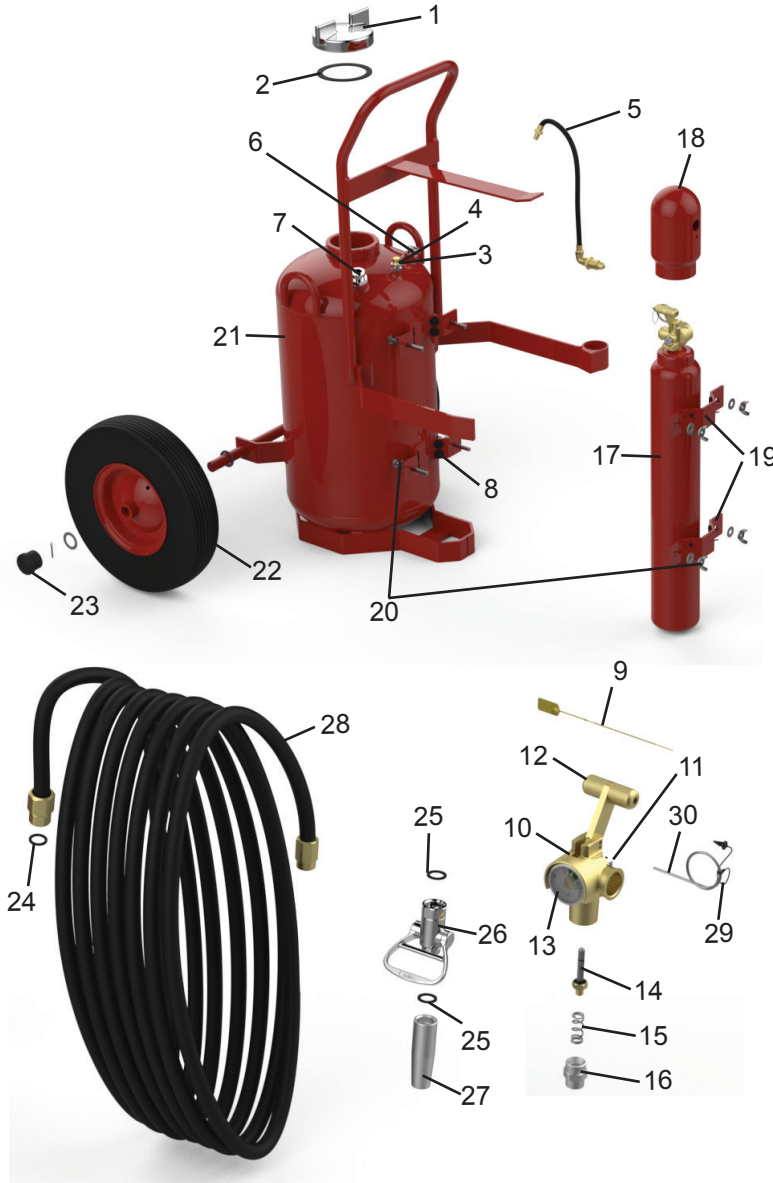
ITEM NO.	PART NO.	DESCRIPTION
1	06993	Cap, Agent Cylinder
	12576	Cap, Agent Cylinder with Pressure Indicator
2	02272	Gasket, Cap
3	13958-P	Bumper, Rubber
4	02235	Nitrogen Pressure Regulator
5	01387-P	Lock Wire Seal (Yellow)
6	12467	Nitrogen Valve with Gauge ("T" Handle Quick Release)
7	16516	Safety Disc, Gasket and Nut Assembly
8	06373	Valve Lever ("T" Handle - Complete)
9	10213	Gauge - 3000 PSI
10	09897-P	Valve Stem Assembly
11	12466	Spring
12	09627	Retainer
13	04128	Nitrogen Cylinder (110 cu. ft.) - Charged with Cap
14	12470	Red Cylinder Cap
15	02234	Nitrogen Hose Assembly
16	11024	Retaining Strap (Top) - Nitrogen Cylinder
17	11021	Retaining Strap (Bottom) - Nitrogen Cylinder
18	16483	Bolt, Washer and Wing Nut
19	07485	Pictogram - 467, 470
	07484	Pictogram - 468, 469, 471, 472
20	07025	Wheel Assembly - 36" x 2 1/2"
	07050	Wheel Assembly - 36" x 2 1/2" with Rubber Tread
21	16984	Hub Cap - 36" Wheels
	07389	Hub Cap with Pin and Washer
22	07751	Wheel Assembly 16" with Hub Cap, Washer and Retaining Pin (Semi-Pneumatic)
	10234	Wheel Assembly 16" with Hub Cap, Washer and Retaining Pin (Pneumatic) (OPTIONAL)
23	04945-P	Hub Cap - 16" Wheels
24	07411	Moisture Seal
25	03877-P	Gasket, Hose and Nozzle
26	06279	Ball Valve Assembly
27	06032	Nozzle Tip (.265)
28	03501	Hose Assembly 3/4 in. x 50 ft.
	25114	Hose Assembly 3/4 in. x 100 ft.
29	04523	1/4 SS Pipe Nipple
30	00532-P	Chain (Nylon) for Ring Pin
31	00160-P	Ring Pin Stainless Steel
32	04444	1/4 MXF Elbow
33	24961	Namplate 467
	24963	Namplate 468
	24965	Namplate 469
	24967	Namplate 470
	24969	Namplate 471
	24971	Namplate 472

* Nameplates do not include UL or USCG Listing.



PARTS LIST for 125/150 lb. Dry Chemical 23 CU. FT. Nitrogen Cylinder Wheeled/Stationary Extinguisher Models

450 - 125lb. ABC
451 - 150lb. REG
452 - 125lb. PK



ITEM NO.	PART NO.	DESCRIPTION
1	06993	Cap, Agent Cylinder
	12576	Cap, Agent Cylinder with Pressure Indicator
2	02272	Gasket, Cap
3	03787-P	Safety Disc Assembly
4	13956	Protective Vinyl Cap
5	03818	Nitrogen Hose Assembly
6	03785	Nitrogen Tube Assembly
7	03784	Downtube Assembly
8	13958-P	Bumper, Rubber
9	01387-P	Lock Wire Seal (Yellow)
10	12467	Nitrogen Valve with Gauge ("T" Handle Quick Release)
11	16516	Safety Disc, Gasket and Nut Assembly
12	06373	Valve Lever ("T" Handle - Complete)
13	10213	Gauge - 3000 PSI
14	09897-P	Valve Stem Assembly
15	12466	Spring
16	09627	Retainer
17	03817	Nitrogen Cylinder (23 cu. ft.) - Charged with Cap
18	12470	Red Cylinder Cap
19	04072	Retaining Strap - Nitrogen Cylinder
20	11970	Bolt, Washer and Wing Nut
21	07485	Pictogram - 450
	07484	Pictogram - 451, 452
22	07751	Wheel Assembly 16" with Hub Cap, Washer and Retaining Pin (Semi-Pneumatic)
23	04945-P	Hub Cap - 16" Wheels
24	07411	Moisture Seal
25	03877-P	Gasket, Hose and Nozzle
26	06279	Ball Valve Assembly
27	06467	Nozzle Tip (.312)
28	03501	Hose Assembly 3/4 in. x 50 ft.
	25114	Hose Assembly 3/4 in. x 100 ft.
29	00532-P	Chain (Nylon) for Ring Pin
30	00160-P	Ring Pin Stainless Steel
31	24955	Nameplate 450
	24957	Nameplate 451
	24959	Nameplate 452

* Nameplates do not include UL or USCG Listing.



PARTS LIST for 300/350 lb. Dry Chemical 55 CU. FT. Nitrogen Cylinder Wheeled Extinguisher Models

491 - 300lb. ABC
492 - 350lb. REG
493 - 300lb. PK



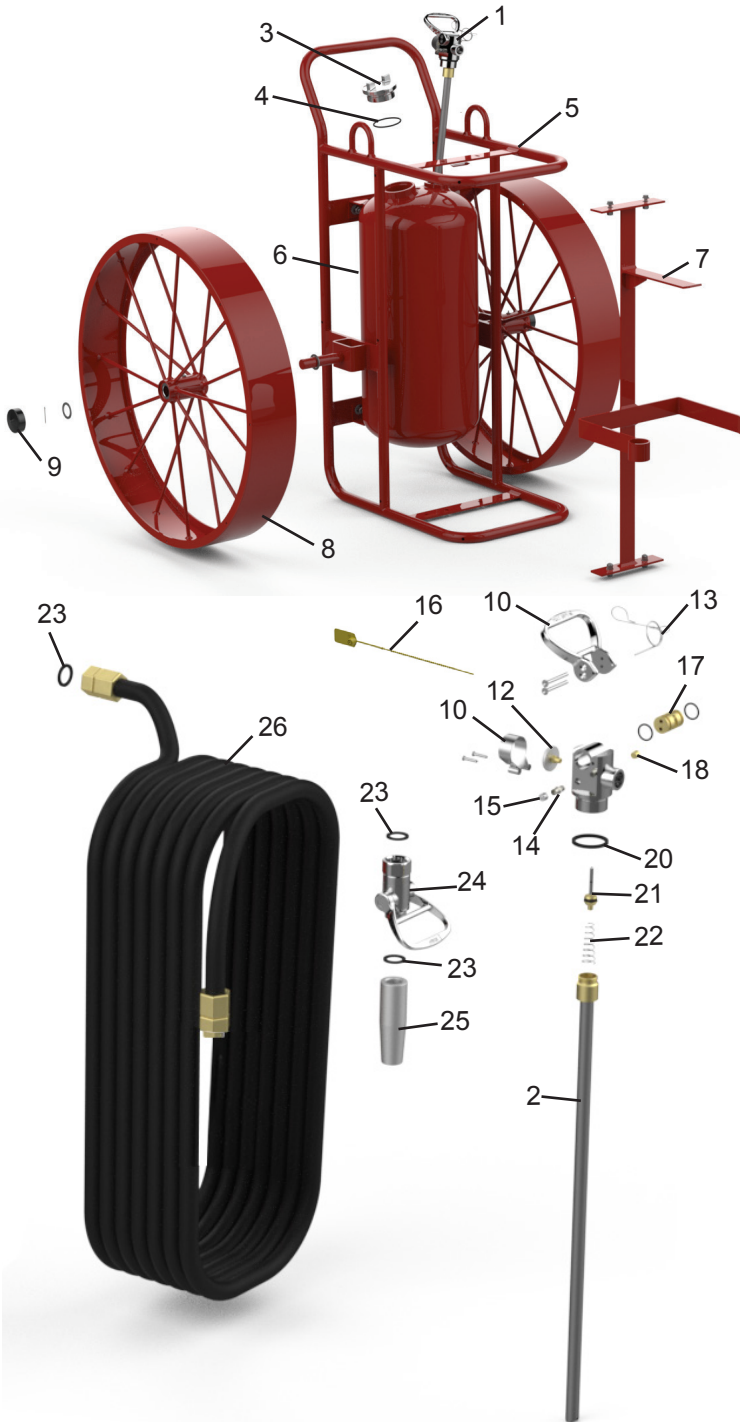
ITEM NO.	PART NO.	DESCRIPTION
1	06993	Cap, Agent Cylinder
	12576	Cap, Agent Cylinder with Pressure Indicator
2	02272	Gasket, Cap
3	03787-P	Safety Disc Assembly
4	13956	Protective Vinyl Cap
5	07292	Nitrogen Hose Assembly
6	06789	Nitrogen Tube Assembly
7	06784	Downtube Assembly
8	13958-P	Bumper, Rubber
9	01387-P	Lock Wire Seal (Yellow)
10	12467	Nitrogen Valve with Gauge ("T" Handle Quick Release)
11	16516	Safety Disc, Gasket and Nut Assembly
12	06373	Valve Lever ("T" Handle - Complete)
13	10213	Gauge - 3000 PSI
14	09897-P	Valve Stem Assembly
15	12466	Spring
16	09627	Retainer
17	06809	Nitrogen Cylinder (55 cu. ft.) - Charged with Cap
18	12470	Red Cylinder Cap
19	11021	Retaining Strap - Nitrogen Cylinder
20	16483	Bolt, Washer and Wing Nut
	07485	Pictogram - 491
21	07484	Pictogram - 492, 493
	07026	Wheel Assembly 36" x 6" (Red)
22	07607	Wheel Assembly 36" x 6" with Rubber Tread
	23	07389
16984		Hub Cap
24	07411	Moisture Seal
25	03877-P	Gasket, Hose and Nozzle
26	06279	Ball Valve Assembly
27	08260	Nozzle Tip - 491, 492(.531)
	08261	Nozzle Tip - 493, (.469)
28	06814	Hose Assembly 1 in. x 50 ft.
	07760	Hose Assembly 1 in. x 75 ft. (OPTIONAL)
	24211	Hose Assembly 1 in. x 100 ft. (OPTIONAL)
29	04444	Nitrogen Elbow
30	00532-P	Chain (Nylon) for Ring Pin
31	00160-P	Ring Pin Stainless Steel
	24979	Nameplate 491
	24981	Nameplate 492
32	24983	Nameplate 493

* Nameplates do not include UL or USCG Listing.



PARTS LIST for 125/250 lb. Dry Chemical Stored Pressure Wheeled/Stationary High Performance and Z-Series Extinguisher Models

573 - 250lb. ABC 756 – 250lb. ABC
574 - 250lb. REG 757 – 250lb. REG
575 - 250lb. PK 758 – 250lb. PK
690 - 125lb. PK 759 – 125lb. PK



ITEM NO.	PART NO.	DESCRIPTION
1	08715	Valve Assembly Complete with Downtube
	05197	Valve Assembly Complete with Downtube - 690
2	09856	Downtube/Retainer Assembly
	04938	Downtube/Retainer Assembly - 690
3	09300	Cap, Agent Cylinder
4	08392	Gasket, Fill Cap
5	27087	Carriage Asy Z-Series w/o Wheels
	27086	Carriage Asy Z-Series w/o Wheels - 690, 759
6	07481-P	Pictogram - 573
	07483	Pictogram - 575, 574, 690
7	09553	Hose Support Asy w/ Mounting Hardware
	10430	Hose Support Asy w/ Mounting Hardware - 690
8	27226	Wheel Assembly Z-Series 36" x 6"
9	07389	Hub Cap with Washer and Cotter Pin
	16984	Hub Cap
10	06059	Valve Lever with Screws
11	16723	Gauge Guard Assembly
12	08714	Gauge - 350 PSI
	05225	Gauge - 240 PSI - 690
13	06100	Ring Pin, Stainless Steel with Wire
	07309	Pressure Valve
14	03559	Pressure Valve - 690
	07310-P	Cap for Pressure Valve
15	00158-P	Cap for Pressure Valve - 690
	01387	Lock Wire Seal (Yellow)
17	06060	Cam Assembly with O-Rings
18	08573	Safety Disc Assembly (except 690)
	13956	Protective Vinyl Cap
	14218	Pipe Plug - 690
19	03678	Valve Body
20	05239-P	Collar O-Ring
21	05067	Valve Stem Assembly
22	03556-P	Spring
23	03877-P	Gasket, Hose / Nozzle
24	06279	Ball Valve Assembly
25	09399	Nozzle Tip - 573, 574 (.625)
	08260	Nozzle Tip - 575, 690 (.531)
26	06814	Hose Assembly 1 in. X 50 ft.
27	24985	Nameplate 573
	24987	Nameplate 574
	24989	Nameplate 575
	24991	Nameplate 690
	27082	Nameplate 756
	27080	Nameplate 757
	27074	Nameplate 758
27075	Nameplate 759	

NOTE: Replacement Valve Assemblies include Valve Body, Gauge, Gauge Guard, Safety Disc Assembly, Cam, Pressure Valve & Cap, Lever, Valve Stem Assembly, Spring and Downtube/Retainer Assembly (as required).

* Nameplates do not include UL or USCG Listing.



PARTS LIST for 33 Gal. AR-AFFF Foam 23 CU. FT. Nitrogen Cylinder Wheeled/Stationary Extinguisher Models

630 - 33 gal. AR-AFFF



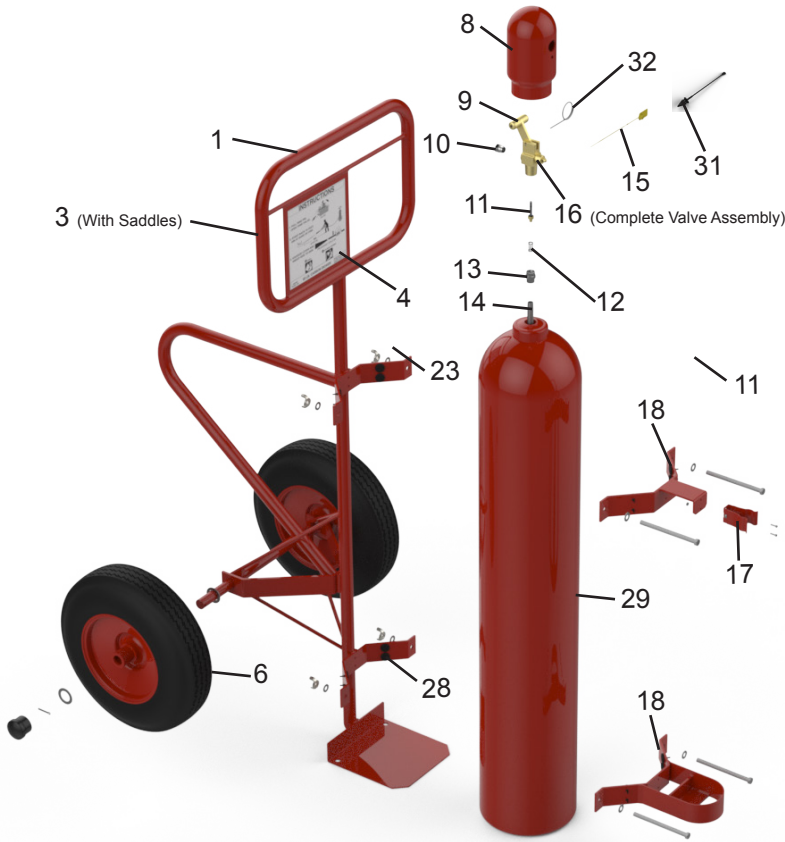
ITEM NO.	PART NO.	DESCRIPTION
1	06993	Cap, Agent Cylinder
	12576	Cap, Agent Cylinder with Pressure Indicator
2	02272	Gasket, Cap
3	03787-P	Safety Disc Assembly - 630
4	13956	Protective Vinyl Cap
5	02234	Nitrogen Hose Assembly
6	06883	Nitrogen Tube Assembly
7	17235	Downtube Assembly - Stainless Steel
8	13958-P	Bumper, Rubber
9	01387-P	Lock Wire Seal (Yellow)
10	12467	Nitrogen Valve with Gauge ("T" Handle Quick Release)
11	16516	Safety Disc, Gasket and Nut Assembly
12	06373	Valve Lever ("T" Handle - Complete)
13	10213	Gauge - 3000 PSI
14	09897-P	Valve Stem Assembly
15	12466	Spring
16	09627	Retainer
17	03817	Nitrogen Cylinder (23 cu. ft.) - Charged with Cap
18	12470	Red Cylinder Cap
19	04072	Retaining Strap - Nitrogen Cylinder
20	11970	Bolt, Washer and Wing Nut
	07479	Pictogram - 630
22	07026	Wheel Assembly 36" x 6"
	07607	Wheel Assembly 36" x 6" with Rubber Tread
23	07389	Hub Cap with Washer and Cotter Pin
	16984	Hub Cap
24	06814	Hose Assembly 1 in. x 50 ft.
25	07411	Moisture Seal
26	03877-P	Gasket, Hose and Nozzle
27	06279	Ball Valve Assembly
28	06749	Nozzle Tip (Aerated)
29	04444	Nitrogen Elbow
30	00532-P	Chain (Nylon) for Ring Pin
31	00160-P	Ring Pin Stainless Steel
32	25102	Decal Recharge 534
33	25023	Nameplate 630

* Nameplates do not include UL or USCG Listing.

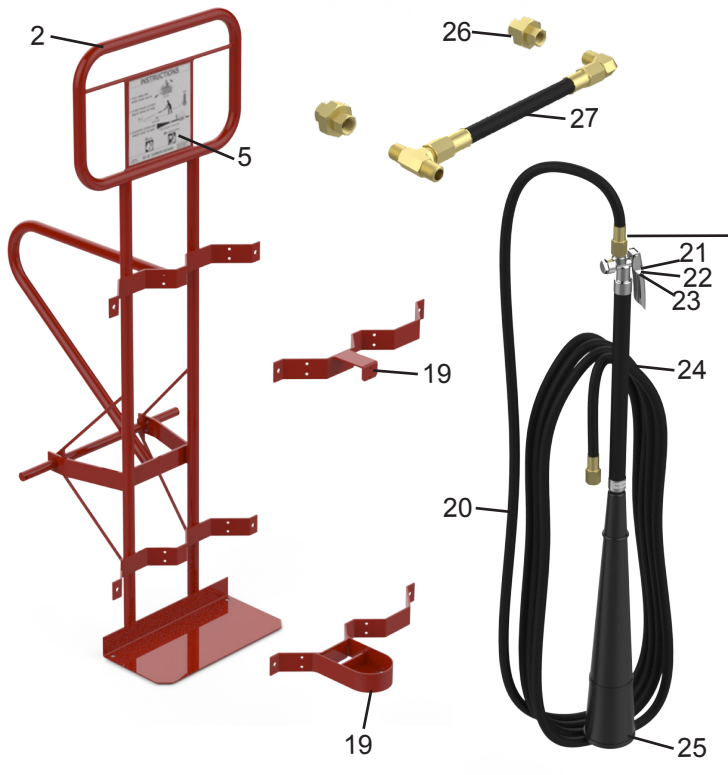


PARTS LIST for 50/100 lb. Carbon Dioxide Wheeled Extinguisher Models

333 - 50lb.
334 - 100lb.



ITEM NO.	PART NO.	DESCRIPTION
1	09891	Carriage Assembly without Wheels - 333
2	09903	Carriage Assembly without Wheels - 334
3	17675	Carriage Assembly with Saddles - 333
4	09618	Pictogram - 333
5	09787	Pictogram - 334
6	07751-P	Wheel Assembly - 16" with Hub Cap, Washers and Cotter Pin - Semi-Pneumatic
7	04945-P	Hub Cap
8	12470	Red Cylinder Cap
9	06373	Valve Lever ("T" Handle - Complete)
10	04000-P	Safety Disc Assembly
11	09897-P	Valve Stem Assembly
12	00501-P	Spring
13	09627	Retainer
14	09623	Downtube
15	01387-P	Lock Wire Seal (Yellow)
16	09895	Valve Assembly Complete with Downtube
17	09892	Horn Clip with Mounting Hardware
18	09893	Saddles with Hardware - 333
19	09904	Saddles with Hardware - 334
20	09545	Hose Assembly - 333,334 (40 ft.)
21	09366	Shut-off Valve Assembly
22	09899	Valve Stem Assembly for Shut-off Valve
23	09901	Spring for Shut-off Valve
24	09896	Handle with Rubber Cover
25	09369	Horn & Nozzle
26	08169	Union (Manifold) - 334
27	09905	Manifold (with Unions) - 334
28	13958-P	Bumper, Rubber
29*	10093	Cylinder Replacement CO2 - 50 lb.
30	09364	Horn and Valve Assembly
31	00532-P	Chain (Nylon) for Ring Pin
32	00160-P	Ring Pin Stainless Steel



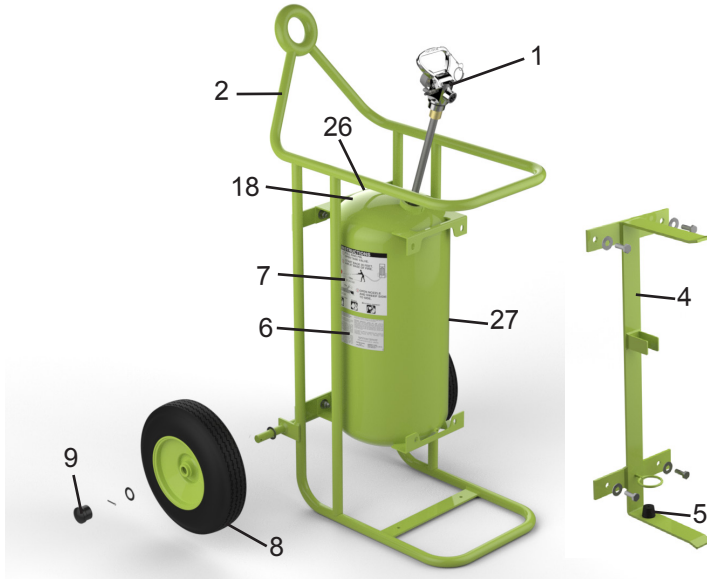
* Replacement cylinders do not include nameplates or UL listings

30 (Includes everything below hose)



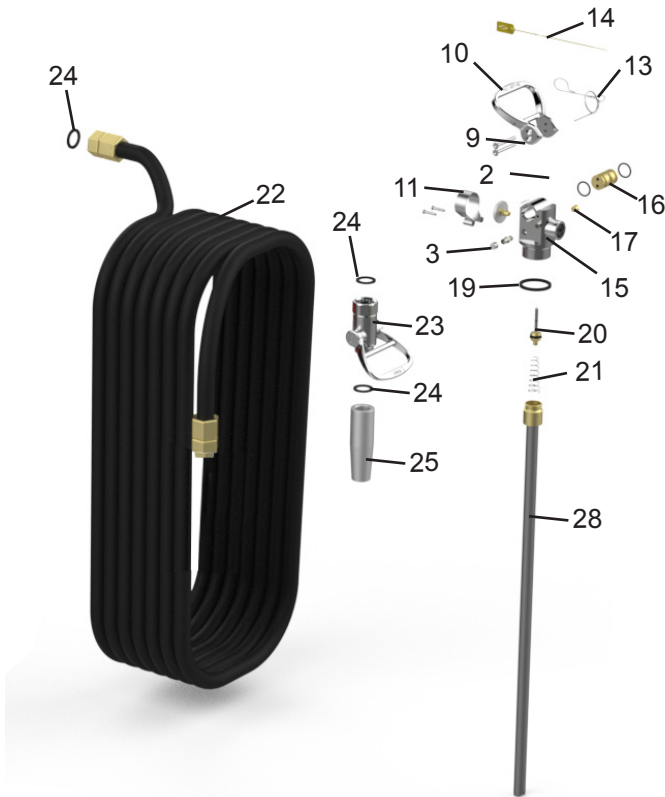
PARTS LIST for 50/150 lb. Stored Pressure Wheeled Halon 1211 Extinguisher Model

600 - 150lb.



ITEM NO.	PART NO.	DESCRIPTION
1	03499	Valve Assembly Complete with Downtube 600
2	10523	Carriage Assembly without Wheels - 600
3	00155-P	Pressure Valve Assembly and Cap
4	06061	Hose Support with Mounting Hardware and Nozzle Mount - 600
5	06130	Nozzle Mount with Hardware - 600
6	03624-P	Nameplate (Label) Non U/L - Model 600
7	07481	Pictogram - 600
8	06062	Wheel Assembly - 16" with Hub Cap, Washer and Retaining Pin - Full Pneumatic - 600 (Green)
	07778	Wheel Assembly - 16" with Hub Cap, Washer and Retaining Pin - Semi-Pneumatic - 600
9	04945-P	Hub Cap
10	06059	Valve Lever with Screws - 600
11	03562	Gauge Guard Assembly - 600
12	03523	Gauge - 200 PSI
13	06100	Ring Pin, Stainless Steel with Wire
	00160-P	Ring Pin Stainless Steel
14	01387-P	Lock Wire Seal (Yellow)
15	03678	Valve Body - 600
16	06060	Cam Assembly with O-Rings - 600
17	03787	Safety Disc Assembly - 600
	13956	Protective Vinyl Cap
18	05404-P	Decal Press VS. Temp. 600
19	05239-P	Collar O-Ring - 600
20	05067	Valve Stem Assembly - 600
21	03556-P	Spring - 600
22	03501	Hose Assembly - 50 ft. - 600
23	06279	Ball Valve Assembly - 600
24	03877-P	Gasket, Hose/Valve - 600
25	06355	Nozzle Tip (.375) - 600
26	06370	Plug, Pipe for Agent Level Indicator Hole - 600
27	03506	Cylinder
28	04938	Downtube/Retainer Assembly - 600

Replacement Valve Assemblies include New Valve Body, Gauge, (Gauge Guard, Safety Disc Assembly, Cam - Model 600, 610), Pressure Valve & Cap, Lever, Valve Stem Assembly, Spring and Downtube/Retainer Assembly

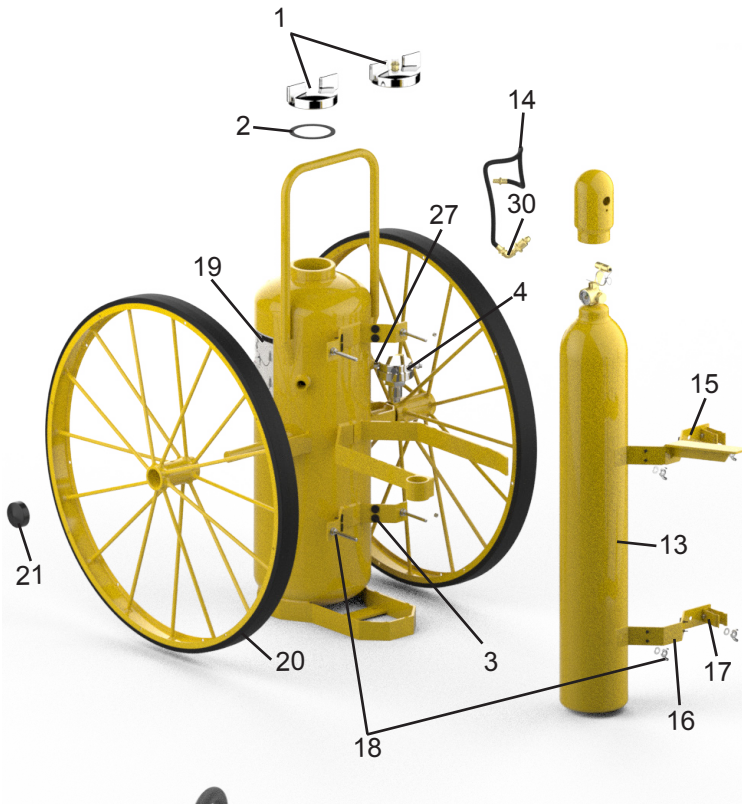




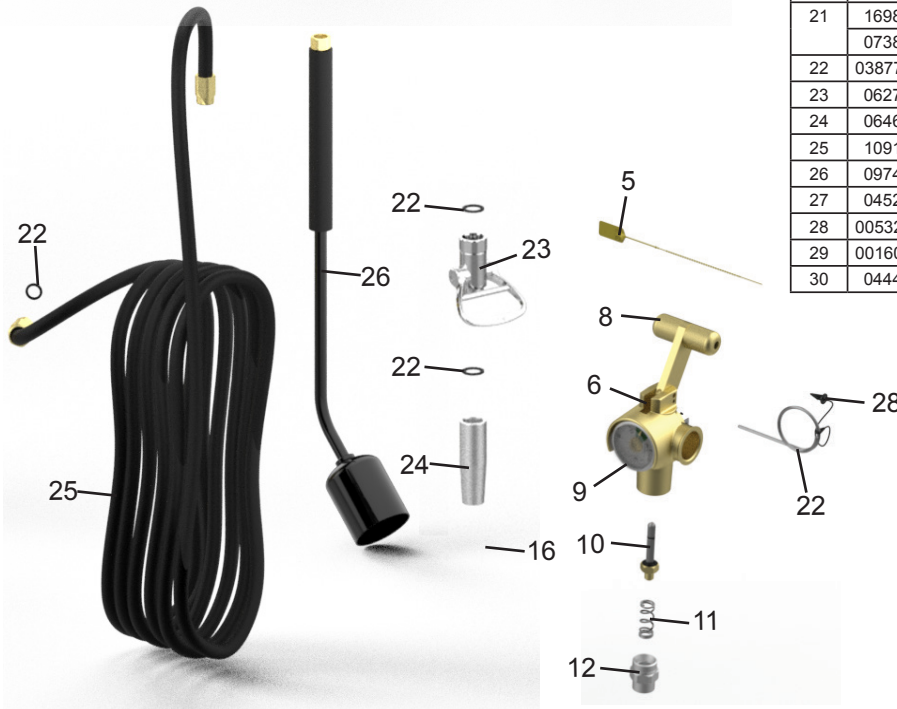
PARTS LIST

for
150/250 lb. Class D
110 CU. FT. Argon Cylinder
Wheeled
Extinguisher Models

680R - 150 lb. Sodium Chloride
 681R - 250 lb. Copper



ITEM NO.	PART NO.	DESCRIPTION
1	06993	Cap, Agent Cylinder
	12576	Cap, Agent Cylinder with Pressure Indicator
2	02272	Gasket, Cap
3	13958-P	Bumper, Rubber
4	10915	Argon Pressure Regulator
5	01387-P	Lock Wire Seal (Yellow)
6	12467	Argon Valve with Gauge ("T" Handle Quick Release)
7	16516	Safety Disc, Gasket and Nut Assembly
8	06373	Valve Lever ("T" Handle - Complete)
9	10213	Gauge - 3000 PSI
10	09897-P	Valve Stem Assembly
11	00501-P	Spring
12	09627	Retainer
13	10904	Argon Cylinder (110 cu. ft.) - Charged with Cap
14	02234	Argon Hose Assembly
15	10906	Retaining Strap with Hose Hanger
16	11020	Retaining Strap (Bottom) - Argon Cylinder
17	08478	Wand Clip
18	16483	Bolt, Washer and Wing Nut
19	10910	Pictogram - 680, 681
20	10917	Wheel Assembly - 36" x 2½" with Rubber Tread
	16984	Hub Cap - 36" Wheels
	07389	Hub Cap, Washer and Pin - 36" Wheels
22	03877-P	Gasket, Hose/Nozzle
23	06279	Ball Valve Assembly
24	06467	Nozzle Tip (.312) (OPTIONAL)
25	10913	Hose Assembly - ¾" x 25 ft.
26	09740	Wand Applicator Assembly
27	04523	1/4" SS Pipe Nipple
28	00532-P	Chain (Nylon) for Ring Pin
29	00160-P	Ring Pin Stainless Steel
30	04444	1/4" MXF Elbow





PARTS LIST for 65 lb. Stored Pressure Wheeled Halotron I Extinguisher Model

673
B673



ITEM NO.	PART NO.	DESCRIPTION
1	16661	Valve Assembly Complete with Downtube 673
	24760	Valve Assembly Complete with Downtube B673
2	04938	Downtube/Retainer Assembly 673
	24795	Downtube/Retainer Assembly B673
3	16724	Carriage Assembly without Wheels
4	16690	Hose Support with Mounting Hardware
5	06130	Nozzle Mount with Hardware
6	07481-P	Pictogram
7	23837	Wheel Assembly - 16" with Hub Cap, Washer and Retaining Pin - Semi-Pneumatic
8	04945-P	Hub Cap
9	06059	Valve Lever with Screws
10	16723	Gauge Guard Assembly
11	14417	Gauge - 100 PSI 673/B673
12	06100	Ring Pin, Stainless Steel with Wire
13	01387-P	Lock Wire Seal (Yellow)
14	16665	Valve Body 673
	22979	Valve Body B673
15	06060	Cam Assembly with O-Rings
16	16664	Collar O-Ring
17	16668	Valve Stem Assembly 673
	23811	Valve Stem Assembly B673
18	03556-P	Spring 673
	22983	Spring B673
19	03501	Hose Assembly - 3/4" x 50'
20	06279	Ball Valve Assembly
21	03877-P	Gasket, Hose/Nozzle
22	16659	Nozzle Tip (.395) 673
	24775	Nozzle Tip (.330) B673
23	25025	Nameplate B673

Replacement Valve Assemblies include Valve Body, Gauge, Gauge Guard, Cam, Lever, Valve Stem Assembly, Spring and Downtube/Retainer Assembly

* Replacement cylinders do not include nameplates or UL listings



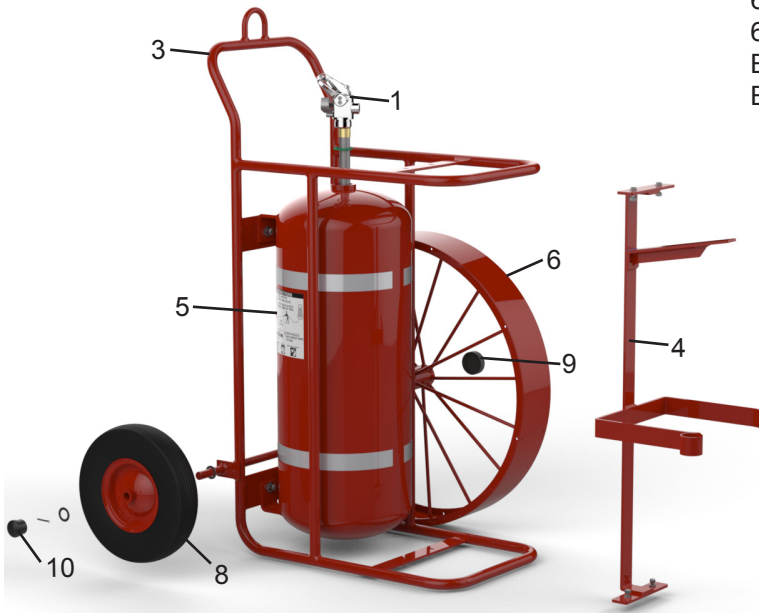
PARTS LIST for 150 lb. Stored Pressure Wheeled Halotron I Extinguisher Models

674 - 16" Semi-Pneumatic Galvanized Wheels

675 - 36" x 6" Steel Wheels

B674 - 16" Semi-Pneumatic Non-Galvanized Wheels

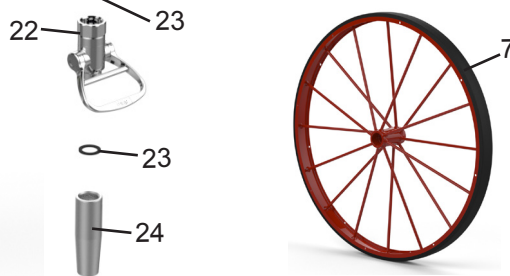
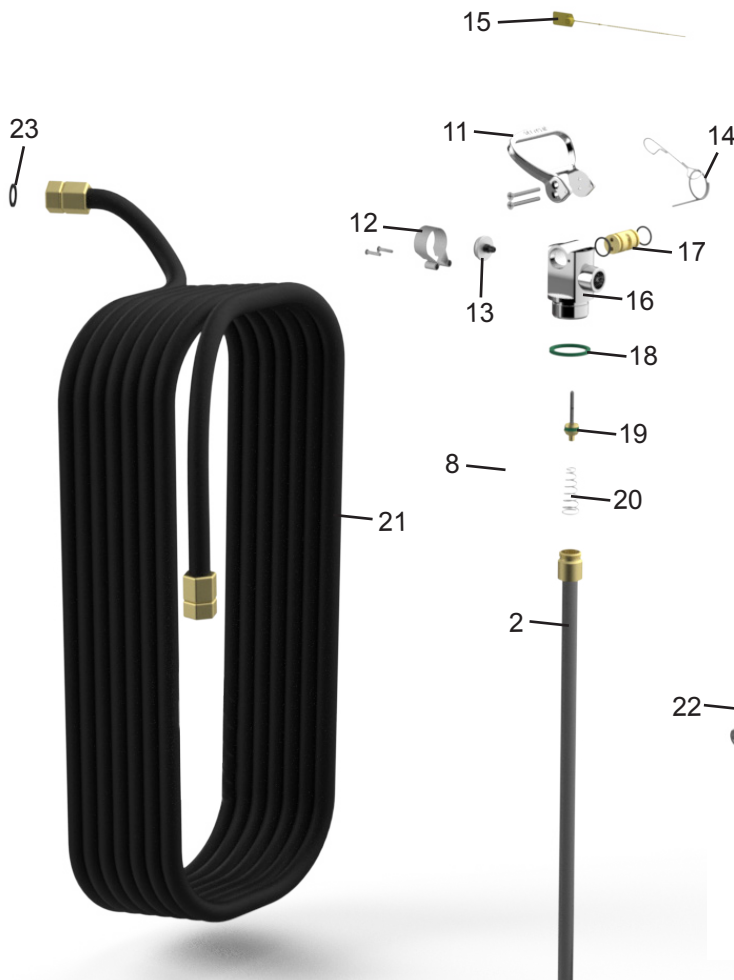
B675 - 36" x 2 1/2" Steel w/ Rubber Tread Wheels



ITEM NO.	PART NO.	DESCRIPTION
1	23808	Valve Assembly Complete with Downtube B674, B675
2	16726	Downtube/Retainer Assembly 674, 675
	23809	Downtube/Retainer Assembly B674, B675
3	16727	Carriage Assembly without Wheels 674
4	16725	Hose Support with Mounting Hardware
5	07481-P	Pictogram
6	07026	Wheel Assembly - 36" x 6" - 675 (Optional B675)
7	07050	Wheel Assembly - 36" x 2 1/2" - B675 (Optional 675)
8	07751	Wheel Assembly - 16" with Hub Cap, Washer and Retaining Pin - Semi-Pneumatic - Galvanized - 674 (Optional B674)
	23837	Wheel Assembly - 16" with Hub Cap, Washer and Retaining Pin - Semi-Pneumatic - Non-Galvanized - B674 (Optional 674)
9	16984	Hub Cap for 36" Wheels
	07389	Hub Cap for 36" Wheels with Washer and Cotter Pin
10	04945-P	Hub Cap
11	06059	Valve Lever with Screws
12	16723	Gauge Guard Assembly
13	14418	Gauge - 125 PSI 674, 675
	16332	Gauge - 150 PSI B674, B675
14	06100	Ring Pin, Stainless Steel with Wire
15	01387-P	Lock Wire Seal (Yellow)
16	16665	Valve Body 674, 675
	22979	Valve Body B674, B675
17	06060	Cam Assembly with O-Rings
18	16664	Collar O-Ring
19	16668	Valve Stem Assembly 674, 675
	23811	Valve Stem Assembly B674, B675
20	16679	Spring 674, 675
	22983	Spring B674, B675
21	03501	Hose Assembly - 3/4" x 50'
22	06279	Ball Valve Assembly
23	03877-P	Gasket, Hose/Nozzle
24	16674	Nozzle Tip (.687) 674, 675
	23665	Nozzle Tip (.692) B674, B675
25	25027	Nameplate B674/B675

Replacement Valve Assemblies include Valve Body, Gauge, Gauge Guard, Cam, Lever, Valve Stem Assembly, Spring and Downtube/Retainer Assembly

* Replacement cylinders do not include nameplates or UL listings

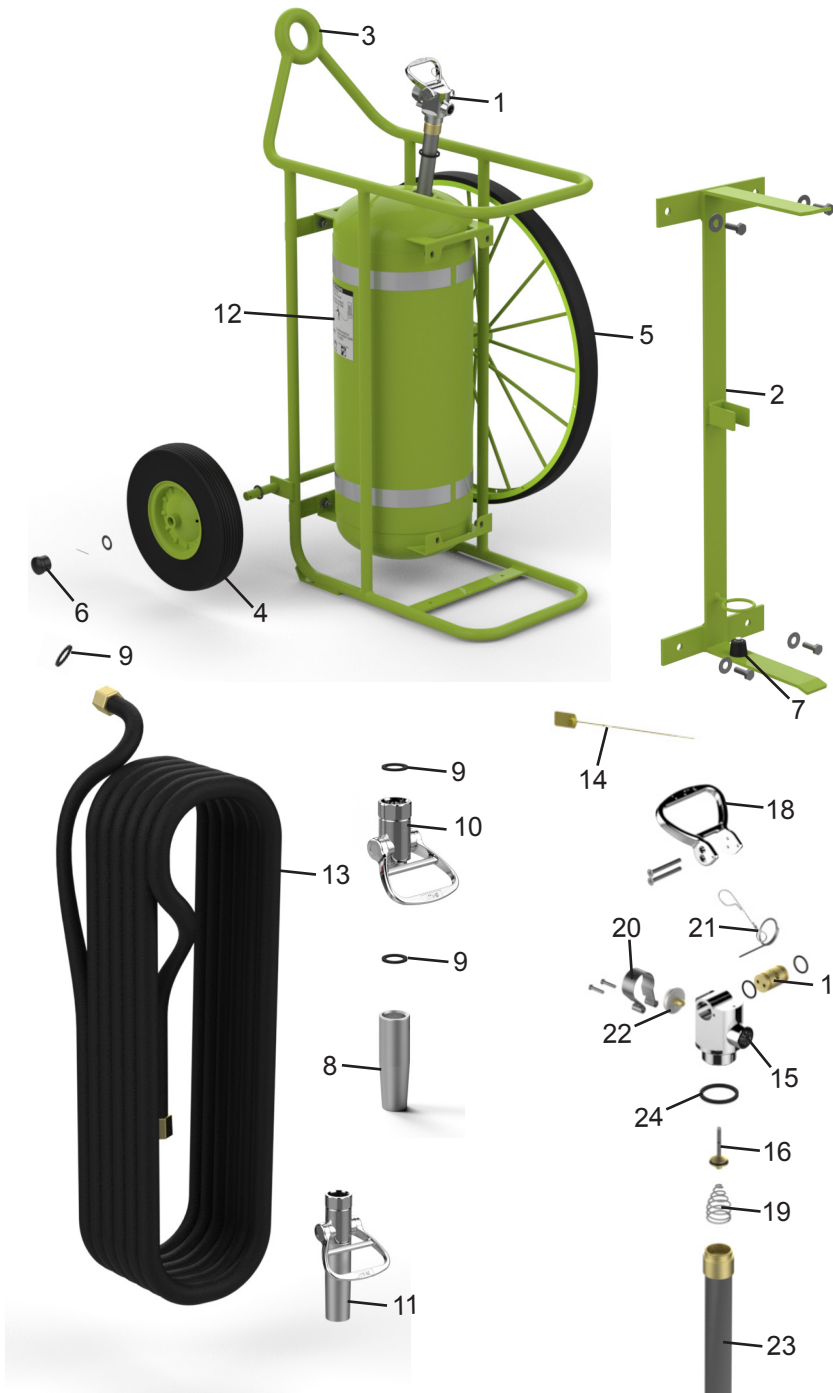


(B Models Only)



PARTS LIST for 150lb. Stored Pressure Wheeled Novec 1230™ Extinguisher Models

775 - 150lb. 16" Wheels
776 - 150lb. 36" Wheels



ITEM NO.	PART NO.	DESCRIPTION
1	22978	Valve Assembly 150 Novec
2	21941	Hose Support w/ Hardware
3	21920	Carriage Assembly 150 Novec GR 775
	23633	Carriage Assembly 150 Novec GR 776
4	06062	Wheel Assembly 16" Pneumatic w/ Hardware
	07778	Wheel Assembly 16" Semi-Pneumatic w/ Hardware
5	23632	Wheel Assy 36" x 2.5 Steel w/ Hardware
6	04945-P	Hub Cap Black 16" Wheel
	16984	Hub Cap Black 36" Wheel
	07389	Hub Cap and Washer, Pin for 36" Wheel
7	06130	Mount Rubber w/ Hardware
8	19793	Nozzle Tip .531
9	03877-P	Gasket
10	06279	Ball Valve Assembly 150
11	23634	Nozzle Assembly (Ball Valve and Tip) .531
12	07481-P	Pictogram
13	23544	Hose Assembly 1" x 40'
14	01387-P	Lock Wire Seal (Yellow)
15	22979	Valve Body
16	22984	Valve Stem Assembly
17	06060	Cam w/ O-Rings
18	06059	Valve Lever w/ Screws
19	22983	Valve Spring
20	16723	Gauge Guard Assembly
21	06100	Pull Pin and Wire
22	19789	Gauge 125 Novec
23	19787	Downtube Assembly
24	05239-P	Collar O-Ring
25	25029	Nameplate 775/776

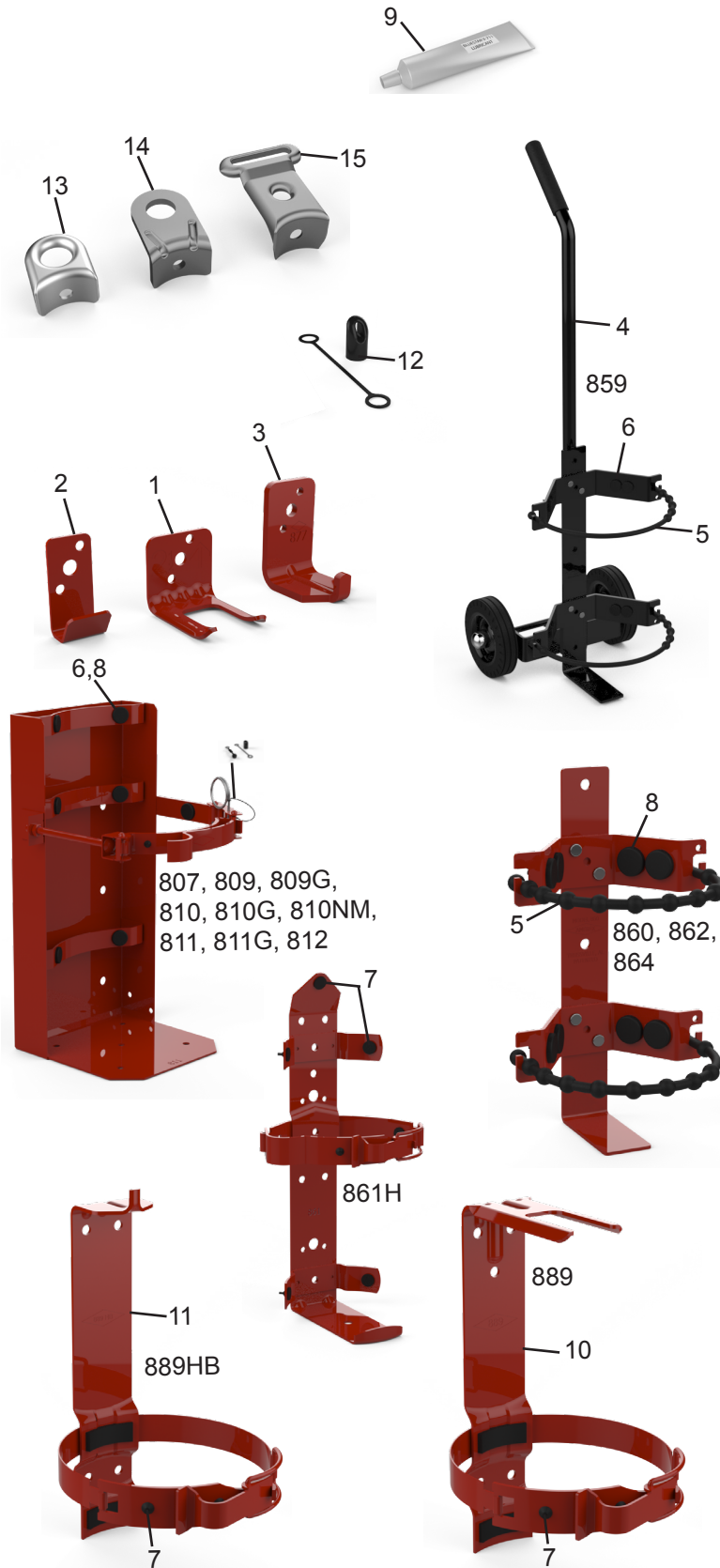
Replacement Valve Assemblies include Valve Body, Gauge, Gauge Guard, Lever, Valve Stem Assembly, Spring, Pull Pin/Wire and Downtube/Retainer Assembly

* Replacement cylinders do not include nameplates or UL listings



Wall Brackets Miscellaneous Items

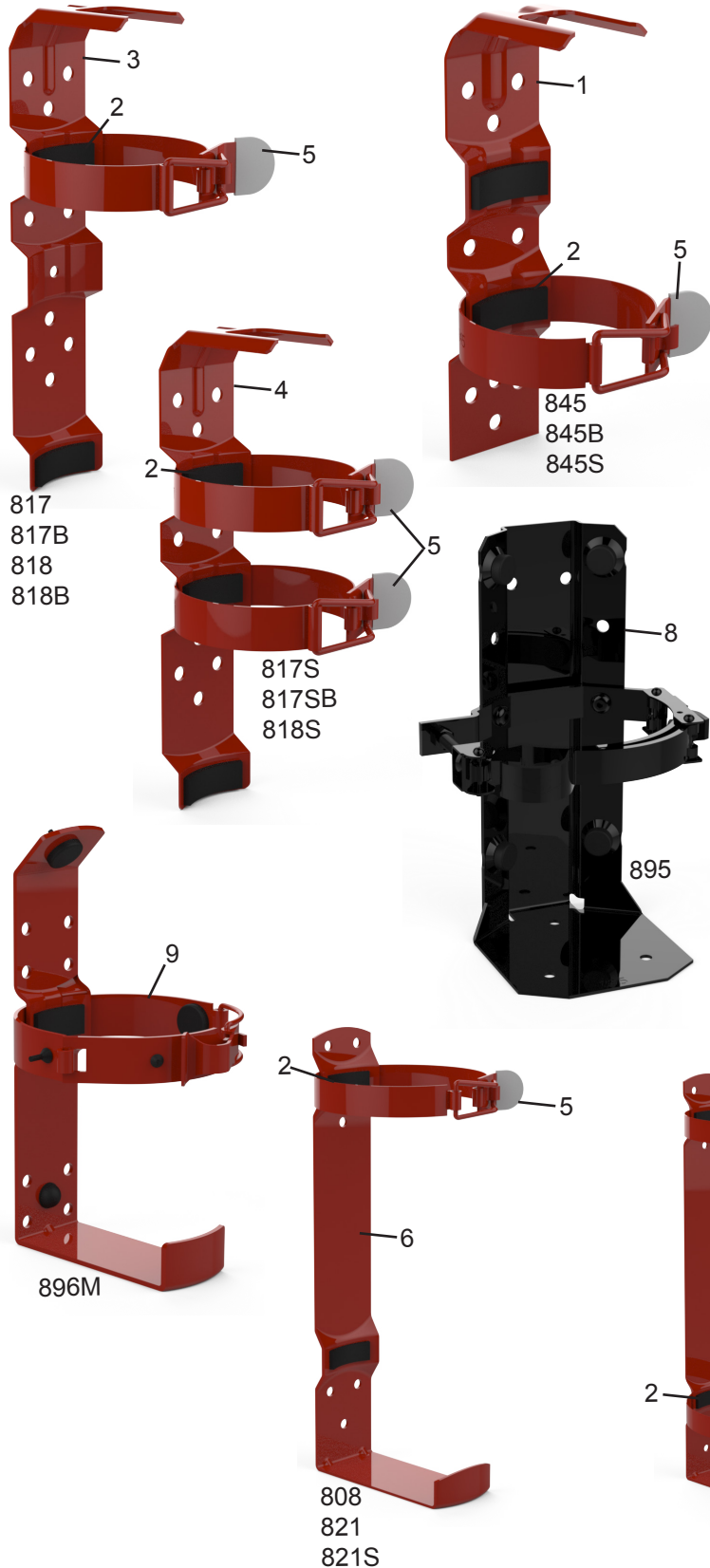
PART NO.	PART NO.	DESCRIPTION
1	04834-P	Wall Hanger Bracket (Red) - All 1 lb., 1¼ lb., 1.4 lb., 2½ lb., 3 lb. Aluminum Valve Models
	01521-p	Wall Hanger Bracket (Red) - All 5 lb. & 5½ lb. Aluminum Valve Models
	05525	Wall Hanger Bracket (Red) - All 6 lb. & 10 lb. Tall Aluminum Valve Models
2	01007-P	Wall Hanger Bracket (Red) - 240, 250, 252, 254, 361*, 369, B371, 372*, 408*, 415*, 419*, 423*, 424, B441, B447, B460, 461, 462, A411*, A412*, A413*, 260, 262, B260, B262, 720, 721, 722 (* For extinguishers manufactured before 2004)
	14315-P	Wall Hanger Bracket (Stainless Steel) - Non-Magnetic - 270, 272, B270, B272
3	09582-P	Wall Hanger Bracket (Red) - All 13.2 lb (6Kg) and 20 lb. High Performance
	09581-P	Wall Hanger Bracket (Red) - 30 lb. High Performance
	00546-P	Wall Hanger Bracket (Red) - 322, B369, B371, B441, B447, B443, B456, B457, B460, B461, B462, B459, 720, 721, 722
	00575-P	Wall Hanger Bracket (Red) - 330, 331, 397, 398, 419*, 668 (Optional B260, B262) (* For extinguishers manufactured 2004 or later)
	17737-P	Wall Hanger Bracket 322NM
	00577-P	Wall Hanger Bracket (Red) - 408*, 415*, 423*, A411*, A412*, A413*, 361*, 372*, B570, B571, 692*, 693*, 760, 761, 762 (* For extinguishers manufactured 2004 or later)
	22290	Wall Hanger Bracket (Red) - 332
	16591-P	Wall Hanger Bracket (Red) - B424, 321M & All 5 lb. and 5.5 lb. Aluminum Valve Models
Miscellaneous Items		
4	08289	859 Dolly Cart 7" and 8" Diameter
5	07166-P	Rubber Strap - 860 & 862 Brackets
	07802-P	Rubber Strap - 864 Bracket, 859 Dolly
6	01990-P	Bumper, Rubber Grommet - 807, 809, 810, 811, 812, 860
7	06858-P	Bumper, Rubber Grommet - 861H, 846, 889, 89HB
8	13958-P	Bumper, Rubber Grommet - 810G, 811G, 862, 864, 859
9	06247	Bluestar V-711 Lubricant (5 oz.)
10	16831	889 Bracket Assembly - 10 lb. 5" Dia. "Fork" Style
11	17148	889HB Bracket Assembly - 10 lb. 5" Dia. "Pin Hook"
12	22929	Protective Blowoff Cap B402 and High Performance Horns
13	14220	Aluminum Valve Hanger Loop w/ screw
	16694	Brass Valve Hanger Loop w/ screw 5lb., 5 1/2lb., 6lb., 20lb.
14	09584	High Performance Hanger Loop w/ screw
	17144	Class D Hanger Loop w/ screw
	14380	Foam, Water Mist, Wet Chemical Hanger Loop w/ screw (Requires 00575 Wall Bracket)
15	15363	Brass Valve Hanger Loop w/ screw 10lb., 13lb.
16	13888-P	Pull Pin and Chain Box Type Brackets





Parts List

Vehicle, Vehicle/Marine Brackets and Components

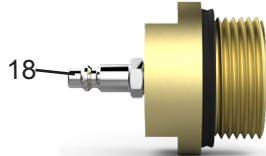
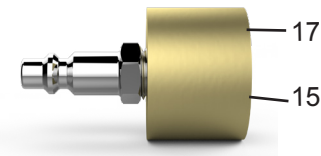
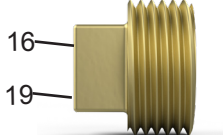
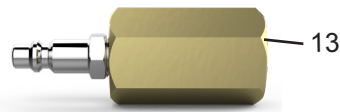
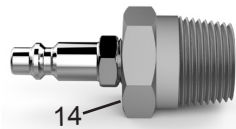
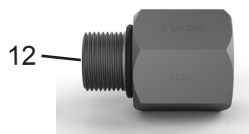
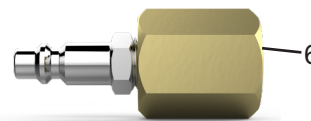
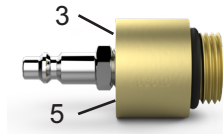
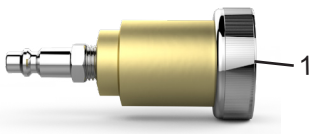
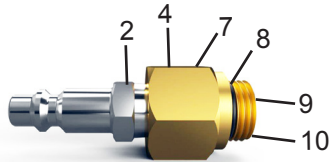


ITEM NO.	PART NO.	DESCRIPTION
1	845	Vehicle Bracket (Red) - All 1 lb., 1¼, 1.4 lb. Aluminum Valve Models
	845B	Vehicle Bracket (Black) - All 1 lb., 1¼, 1.4 lb. Aluminum Valve Models
	845S	Vehicle Bracket (Red) 2 Strap - All 1 lb., 1¼, 1.4 lb. Aluminum Valve Models
2	03412	Rubber Pad - ½" x 1½" - 817, 818, 808, 821, 845, 846, 889, 889HB
	01264	Rivet - 817, 818, 808, 821, 845, 846, 889, 889HB
3	01089-P	Vehicle/Marine Bracket (Red) - All 2½ lb., 3 lb. Aluminum Valve Models
	817B	Vehicle/Marine Bracket (Black) - All 2½ lb., 3 lb. Aluminum Valve Models
	01211-P	Vehicle/Marine Bracket (Red) - All 5 lb., 5½ lb. Aluminum Valve Models
	818B	Vehicle/Marine Bracket (Black) - All 5 lb., 5½ lb. Aluminum Valve Models
4	817S	Vehicle/Marine Bracket (Red) - 2 Strap All 2½ lb., 3 lb. Aluminum Valve Models
	06866-P	Vehicle/Marine Bracket (Black) - 2 Strap All 2½ lb., 3 lb. Aluminum Valve Models
	818S	Vehicle/Marine Bracket (Red) - 2 Strap All 5 lb., 5½ lb. Aluminum Valve Models
5	03076-p	White Vinyl Tip - 817, 818, 808, 821, 845
6	808	Vehicle/Marine Bracket (Red) - All 6 lb., 9 lb., Aluminum & Brass Valve Models
	821	Vehicle/Marine Bracket (Red) - All 5 lb., 5½ lb. Aluminum & Brass Valve Models
	821S	Vehicle/Marine Bracket (Red) 2 strap - All 5 lb., 5½ lb. Aluminum & Brass Valve Models
7	846	Vehicle Bracket (Red) -10 lb. Tall Aluminum & Brass Valve Models
8	895	Vehicle/Marine Bracket (Black) - All 6 lb., 10 lb. Aluminum & Brass Valve Models
9	20619	Bumper Rubber Grommet 895
10	13958	Bumper Rubber Grommet 895
11	896M	Vehicle Bracket (Red) 2/12 Lb. CO2



Adapters - Fill (Recharge) & Hydrotest (Cylinder & Hose)

ITEM NO.	PART NO.	DESCRIPTION
Water, Water Mist, Wet Chemical & Foam Extinguishers		
1	03181	Hydro-test Adapter - 1 1/2" - 16 UN
4*	02141	Fill Adapter - Hansen Quick Connect - 240, 250, 252, 254, 260, 262 - 5/8" - 18 UNF
6*	09492	Fill Adapter - Hansen Quick Connect - B270, B272, B260, B262 - 1/2" - 14 NPSL
Dry Chemical - Aluminum Valve Extinguishers		
2	01720	Fill Adapter - Hansen Quick Connect - 3/8"-24 UNF
3*	03610	Hydro-test Adapter - 1"-12 UNF
4*	02141	Fill Adapter - Hansen Quick Connect 5/8" - 18 UNF (20 lb. Aluminum Valve)
Dry Chemical - Brass Valve, High Performance, CL-D Extinguishers (Female Thread)		
4*	02141	Fill Adapter - Hansen Quick Connect 5/8" UNF
5*	03038	Hydro-test Adapter - 1 1/4"-12 UNF
6*	09492	Fill Adapter - High Performance Old style male thread - 1/2" - 14 NPSL
Halon 1211 - Aluminum Valve Extinguishers		
7	04485	Fill Adapter - Hansen Quick Connect - 3/8"-24 UNF
3*	03610	Hydro-test Adapter - 1"-12 UNF
Halon 1211 - Brass Valve Extinguishers		
8	04482	Fill Adapter - Hansen Quick Connect - 5/8" - 18 UNF
5*	03038	Hydro-test Adapter - 1 1/4"-12 UNF
Halotron I - Aluminum Valve Extinguishers		
9	14569	Fill Adapter - Snap Tite Quick Connect - 3/8"-24 UNF
3*	03610	Hydro-test Adapter - 1"-12 UNF
Halotron I - Brass Valve Extinguishers		
10	14568	Fill Adapter - Snap Tite Quick Connect - 5/8" - 18 UNF
5*	03038	Hydro-test Adapter - 1 1/4"-12 UNF
Carbon Dioxide - All CO2 Hand Portable Extinguishers		
11	01316	Fill Adapter - Hansen Quick Connect - 1/4" - 18 NPT, Installs on 2 1/2lb., 5lb. Discharge Tube - 3/8" - 18 - NPT with the Bushing removed, Install on 10lb., 15lb., 20lb. CO2 Elbow
12	01290	Hydro-test Adapter 1-1/8" - 12 UNF X 1/2" - 14 - NPT
Carbon Dioxide - Wheeled 50 lb. and 100 lb. Extinguishers		
13	09902	Fill Adapter - Hansen Quick Connect 1/2" - 14 NPT
14*	04892	Hydro-test Adapter 3/4" - 14 - NPT
Wheeled Stored Pressure - Dry Chemical, Halotron I and Halon 1211		
15*	06160	Fill Adapter - Hansen Quick Connect 50 lb. Dry Chemical 3/4" - 11 1/2" NH
5*	03038	Hydro-test Adapter - 1 1/4"-12 UNF (50lb.)
16	06157	Hydro-test Adapter (Hose) (Male Plug) - Use with P/N: 6160 for 1/2" Hose Assemblies 3/4" - 11 1/2" NH
17*	09857	Fill Adapter - 125, 150 & 250 lb. Dry Chemical 150 lb. Halon 1211, 150 lb. Halotron I and 150 lb. Novec 1" - 8NH, Hydro-test Adapters, Agent Cylinders 110ft ³ Models
18*	05152	Hydro-test Adapter (Cylinder) - 125, 150 & 250 lb. Dry Chemical 150 lb. Halon 1211, 150 lb. Halotron I and 150 lb. Novec 2" - 8UN (Male Plug)
19*	05723	Hydro-test Adapter (Hose) - Use with P/N: 9857 for 3/4" and 1" Hose Assemblies 1" - 8NH
Wheeled Nitrogen or Argon Cylinder Operated - Gas Cylinder		
14*	04892	Hydro-test Adapter for Gas Cylinder and Agent Cylinder Except 110ft ³ Models 3/4" - 14NPT
Hose Hydro-test for Wheeled Dry Chemical, Foam, Halon, Halotron, Novec: For 1/2" Hose use 06160 Adapter and 06157 Plug. For 3/4" and 1" Hose use 09857 Adapter and 05723 Plug.		
* ADAPTER CAN BE USED ON MORE THAN ONE TYPE EXTINGUISHER		
Replacement O-Rings / Gaskets for Adapters		
PART NO.	DESCRIPTION	
01532-P	O-Ring for Item: 2, 7, 9	
06978-P	O-Ring for Item: 4, 8, 10	
05241-P	O-Ring for Item: 3	
05240-P	O-Ring for Item: 1, 5	
09494-P	Gasket for Item: 6	
01124-P	O-Ring for Item: 12	
06056-P	Gasket for Item: 15	
03877-P	Gasket for Item: 17	
05239-P	O-Ring for Item: 18	





Parts List Recharge Agents

WATER & FOAM CHARGES

02117-P - Charge 502, 22 oz. bottle AR-AFFF – Model 250 & 254
Charge 506B-2, Two 2 1/2 gal. bottles Loaded Stream/Anti-Freeze – Model 240
Charge 506, 55 gal. drum Loaded Stream/Anti-Freeze - Model 240
Charge 534, 25/16 gal. pail AR-AFFF – Model 630 Wheeled



WET CHEMICAL CHARGES

Charge 530-2, two 6 liter bottles – Model B260
Charge 660-2, two 2 1/2 gal. bottles – Model B262



WATER MIST CHARGES

Charge 670-2, two 1 3/4 gal. bottles – Model B270
Charge 671-2, two 2 1/2 gal. bottles – Model B272



HALOTRON™ I CHARGES

Charge 891, 80 lb. cylinder
Charge 892, 200 lb. cylinder



CLASS D DRY POWDER CHARGES

Charge 543, 35 lb. pail Graphite (G-Plus)
Charge 532, 300 lb. drum Graphite (G-Plus)
Charge 557, 30 lb. pail Sodium Chloride (Super D) – Model B570 & 680
Charge 545, 50 lb. pail Sodium Chloride (Super D) – Model B570 & 680
Charge 548, 50 lb. pail Copper (Navy 125S) – Model B571 & 681
[Class D Powders can be applied using scoop or shovel]



ABC DRY CHEMICAL CHARGES

Charge 552, 25 lb. pail
Charge 550, 50 lb. pail
Charge 555, 50 lb. pail – Model B402
Charge 509, 400 lb. drum



REGULAR DRY CHEMICAL CHARGES

Charge 512, 50 lb. pail
Charge 511, 400 lb. drum



PURPLE K DRY CHEMICAL CHARGES

Charge 553, 25 lb. pail
Charge 515, 50 lb. pail
Charge 517, 400 lb. drum



AMEREX SERVICE/MAINTENANCE MANUALS

(Free download from Amerex web site - www.amerex-fire.com)

- 00914 Owners Manual for Hand Portable Extinguishers, 16424 Spanish Version, 17099 French Version
- 05601 Hand Portable - 2½ Gal. Water - Model 240
- 05602 Hand Portable Dry Chemical - ABC, Regular & Purple K
- 05603 Hand Portable Carbon Dioxide - Models 321M, 322, 330, 331, 332
- 05604 Hand Portable Halon 1211
- 05605 Wheeled - 125/150 lb. N₂ Cyl. Operated -Models 450, 451, 452, 467, 468, 469, 470, 471, 472
- 05607 Hand Portable - Premix Foam - Models 254 (6 Liter AR-AFFF), 250 (2½ Gal. AR-AFFF)
- 05608 Wheeled - 125/150 lb. Stored Press. Dry Chemical - Models 488, 489, 490
- 05612 Wheeled - 50 Lb. Stored Press. Dry Chemical - Models 495, 496, 497
- 05614 Wheeled - 300/350 lb. N₂ Cylinder Operated Dry Chemical - Models 491, 492, 493
- 05615 Wheeled - 33 Gal. N₂ Cylinder Operated AR-AFFF Foam - Model 630
- 05616 Hand Portable - 6kg (13.2lb.), 20 & 30 lb. HIGH PERFORMANCE Dry Chemical
- 05617 Wheeled - 250 Lb. HIGH PERFORMANCE Dry Chemical - Models 573, 574, 575
- 05618 Wheeled - 50 & 100 Lb. Carbon Dioxide - Models 333, 334
- 05619 Hand Portable - 30 Lb. Class D (Copper) - Model 571/B571
- 05620 Wheeled - Class D - 150 Lb. Class D (Sodium Chloride) - Model 680 and 250 Lb. Copper - Model 681
- 08220 Hand Portable - 30 Lb. Class D (Sodium Chloride) - Model 570/B570
- 13259 Hand Portable - 6 Liter & 2½ Gal. "Class K" Wet Chemical - Models B260 & B262
- 14425 Hand Portable - 1.4, 2½, 5, 5.5, 11 & 15½ lb. Halotron I
- 14795 Recharge Recovery Halotron I
- 16303 Hand Portable - 1 3/4 Gal. and 2 1/2 Gal. Water Mist - Models B270 and B272
- 16672 Wheeled - 65lb. and 150lb. Halotron - Models B673, B674, B675
- 19795 Wheeled - 150 Lb. Novec 1230 - Models 775, 776

AMEREX SDS (Safety Data Sheets)

Please visit our website at www.amerex-fire.com for SDS information.

